

Series RPC



A.P.O. - ELMOS v.o.s., Pražská 90, 509 01 Nová Paka, Tel.: +420 493 504 261, E-mail: apo@apoelmos.cz, Internet: www.apoelmos.cz

AVENTICS™ Series RPC

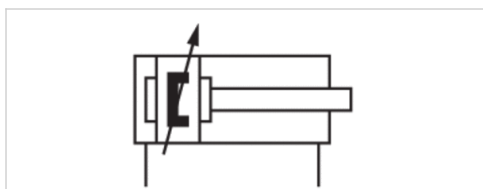


Round cylinder, Series RPC

- Version: ISO-type
- ISO 6431
- Ø 32-63 mm
- Ports G 1/8 G 1/4 G 3/8
- double-acting
- with magnetic piston
- Cushioning pneumatically adjustable
- with integrated rear eye
- Piston rod External thread
- ATEX optional



Standards	ISO 6431
Compressed air connection	Internal thread
Working pressure min./max.	1 ... 10 bar
Ambient temperature min./max.	-20 ... 80 °C
Medium temperature min./max.	-20 ... 80 °C
Medium	Compressed air
Max. particle size	50 µm
Oil content of compressed air	0 ... 5 mg/m ³
Pressure for determining piston forces	6.3 bar



Technical data

Piston Ø Piston rod thread Ports Piston rod Ø	32 mm M10x1,25 G 1/8 10 mm	40 mm M12x1,25 G 1/4 12 mm	50 mm M16x1,5 G 1/4 16 mm	63 mm M16x1,5 G 3/8 16 mm
Stroke 25	R481609419	R481609430	R481609441	R481609452
50	R481609420	R481609431	R481609442	R481609453
80	R481609421	R481609432	R481609443	R481609454
100	R481609422	R481609433	R481609444	R481609455
125	R481609423	R481609434	R481609445	R481609456
160	R481609424	R481609435	R481609446	R481609457
200	R481609425	R481609436	R481609447	R481609458
250	R481609426	R481609437	R481609448	R481609459
320	R481609427	R481609438	R481609449	R481609460
400	R481609428	R481609439	R481609450	R481609461
500	R481609429	R481609440	R481609451	R481609462

Technical data

Piston Ø	32 mm	40 mm	50 mm	63 mm
Retracting piston force	435 N	660 N	1035 N	1765 N
Extracting piston force	505 N	790 N	1235 N	1960 N
Cushioning length	16,5 mm	19 mm	17 mm	16,5 mm
Cushioning energy	4,8 J	9 J	15 J	27 J
Weight 0 mm stroke	0,34 kg	0,58 kg	0,96 kg	1,3 kg
Weight +10 mm stroke	0,015 kg	0,024 kg	0,04 kg	0,044 kg
Stroke max.	1200 mm	1200 mm	1200 mm	1200 mm

Technical information

The pressure dew point must be at least 15 °C under ambient and medium temperature and may not exceed 3 °C .

The oil content of compressed air must remain constant during the life cycle.

Use only the approved oils from AVENTICS. Further information can be found in the "Technical information" document (available in the MediaCentre).

Clamping piece for magnetic field sensor necessary

ATEX-certified cylinders with identification II 2G Ex h IIC T4 Gb / II 2D Ex h IIIC T135°C Db_X can be generated in the Internet configurator.

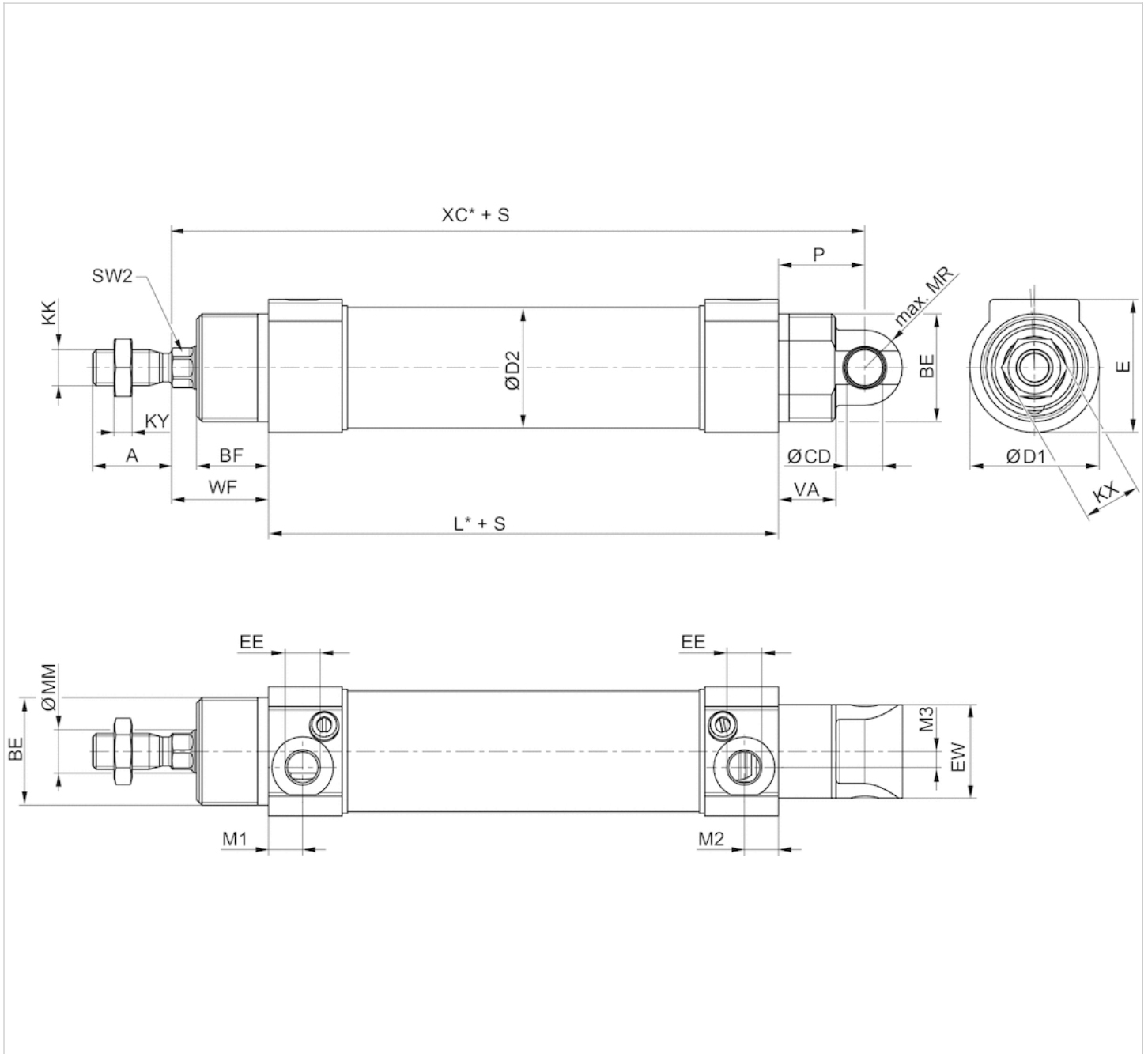
The operating temperature range for ATEX-certified cylinders is -20°C ... 60°C.

Technical information

Material	
Cylinder tube	Stainless steel
Piston rod	Stainless steel
Front cover	Aluminum, anodized
End cover	Aluminum, anodized
Seal	Polyurethane
Nut for piston rod	Steel, galvanized
Scraper	Polyurethane
Guide bushing	Steel, Bronze, Polytetrafluorethylene
Bushing in rear eye	Sintered steel
Grease	AGF (NSF-H1)

Dimensions

Dimensions



S = stroke

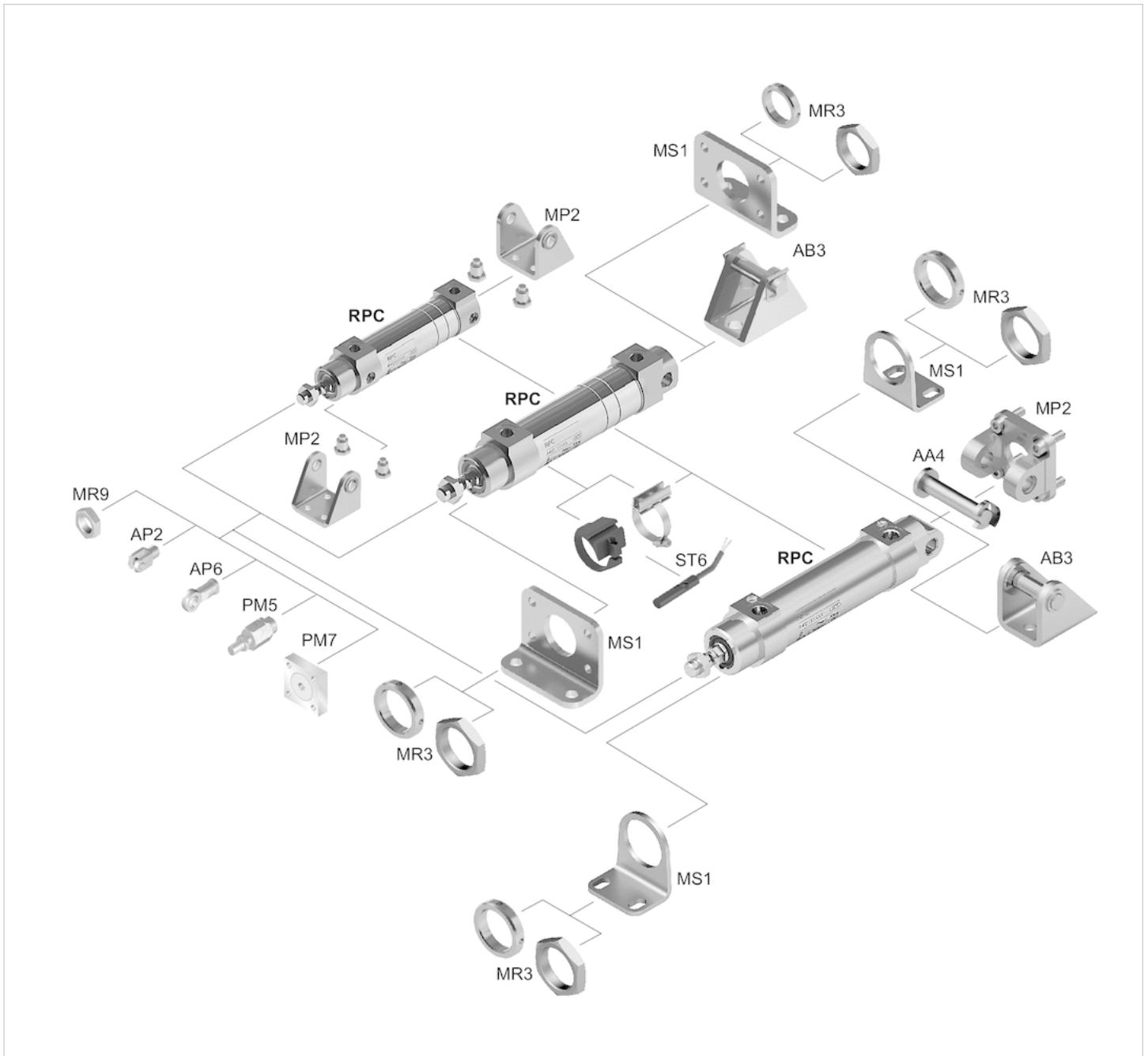
Dimensions

Piston Ø	A	BE	BF	Ø CD H8	Ø D1	Ø D2	E	EE	EW	KK	KX	KY	L	Ø MM	M1
32 mm	22	M30x1,5	20	10	36	33,6	37	G 1/8	26	M10x1,25	16	5	92	12	9,5
40 mm	24	M38x1,5	23	12	45	41,6	45	G 1/4	28	M12x1,25	18	6	107	16	11,5
50 mm	32	M45x1,5	24	12	55	52,4	55	G 1/4	32	M16x1,5	24	8	110	20	11,5
63 mm	32	M45x1,5	26,5	16	69	65,4	69	G 3/8	40	M16x1,5	24	8	125	20	13

Piston Ø	M2	M3	MR	P	SW2	VA	WF	XC
32 mm	9,5	4,5	10,5	24	10	16	27	143
40 mm	11,5	5	13	21	13	19	32	160
50 mm	11,5	5	13	25	17	18,5	35	170
63 mm	13,5	5	17	31	17	23	35	191

Accessories overview

Overview drawing



NOTE:

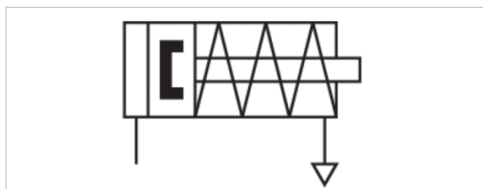
This overview drawing is only for orientation to indicate where the various accessory parts can be fastened to the cylinder. The illustration has been simplified for this purpose. It is thus not possible to derive the dimensions from this overview.

Round cylinder, Series RPC

- Version: ISO-type
- ISO 6431
- Ø 32-63 mm
- Ports G 1/8 G 1/4 G 3/8
- Single-acting, retracted without pressure
- with magnetic piston
- Cushioning elastic
- with integrated rear eye
- Piston rod External thread



Standards	ISO 6431
Compressed air connection	Internal thread
Working pressure min./max.	2 ... 10 bar
Ambient temperature min./max.	-20 ... 80 °C
Medium temperature min./max.	-20 ... 80 °C
Medium	Compressed air
Max. particle size	50 µm
Oil content of compressed air	0 ... 5 mg/m ³
Pressure for determining piston forces	6.3 bar



Technical data

	32 mm	40 mm	50 mm	63 mm
Piston Ø	32 mm	40 mm	50 mm	63 mm
Piston rod thread	M10x1,25	M12x1,25	M16x1,5	M16x1,5
Ports	G 1/8	G 1/4	G 1/4	G 3/8
Piston rod Ø	12 mm	16 mm	20 mm	20 mm
Stroke 10	R481609463	R481609467	R481609471	R481609475
25	R481609464	R481609468	R481609472	R481609476
40	R481609465	R481609469	R481609473	R481609477
50	R481609466	R481609470	R481609474	R481609478

Technical data

	32 mm	40 mm	50 mm	63 mm
Piston Ø	32 mm	40 mm	50 mm	63 mm
Retracting piston force	437 N	675 N	1077 N	1802 N
Extracting piston force	470 N	730 N	1135 N	1860 N
Spring force min. - max.	35 ... 68 N	50 ... 115 N	95 ... 162 N	95 ... 162 N
Impact energy	0,5 J	0,7 J	1 J	1,3 J
Weight 0 mm stroke	0,37 kg	0,67 kg	1,07 kg	1,96 kg

Piston Ø	32 mm	40 mm	50 mm	63 mm
Weight +10 mm stroke	0,015 kg	0,024 kg	0,04 kg	0,044 kg
Stroke max.	50 mm	50 mm	50 mm	50 mm

Technical information

The pressure dew point must be at least 15 °C under ambient and medium temperature and may not exceed 3 °C .

The oil content of compressed air must remain constant during the life cycle.

Use only the approved oils from AVENTICS. Further information can be found in the "Technical information" document (available in the MediaCentre).

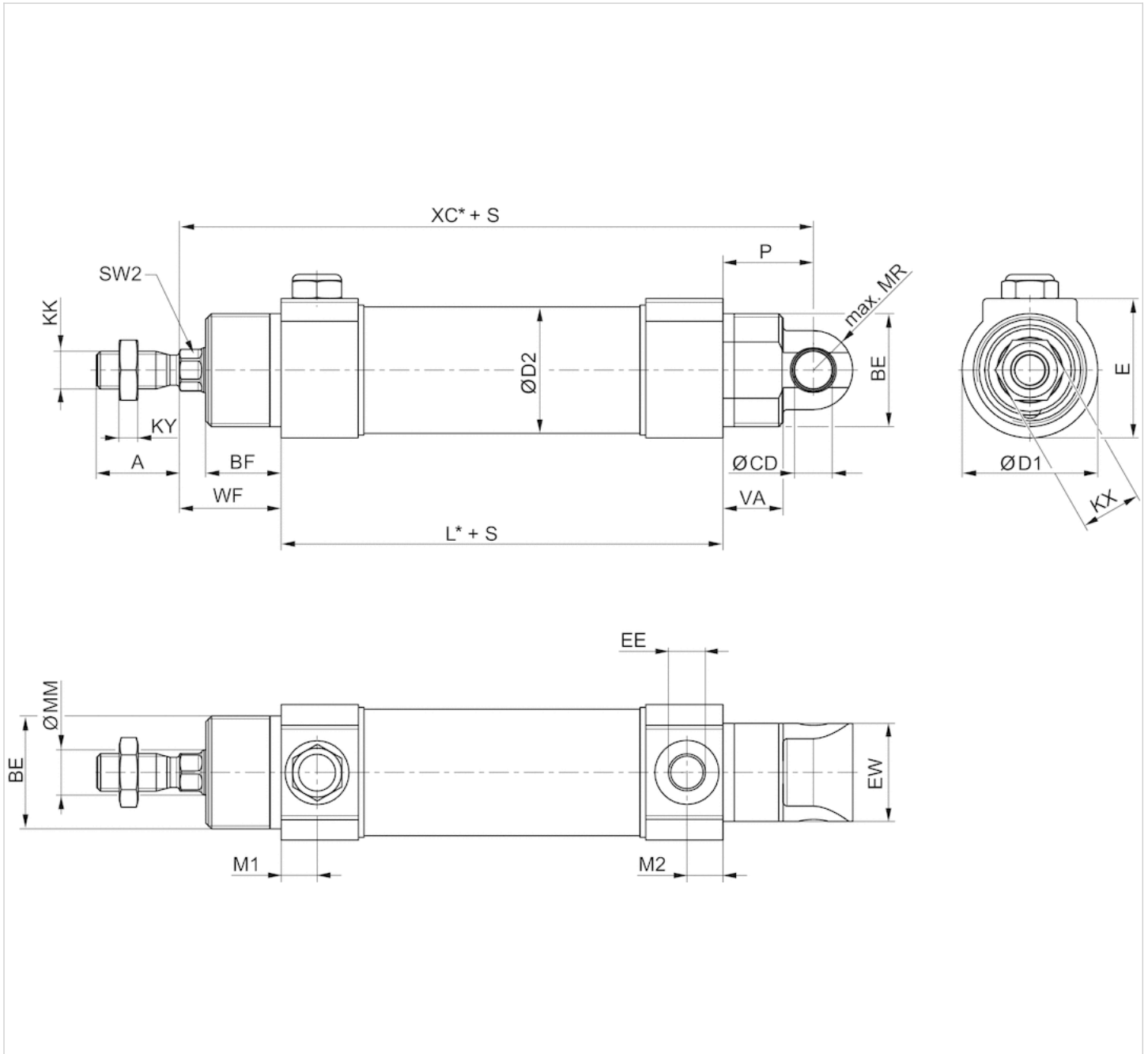
Clamping piece for magnetic field sensor necessary

Technical information

Material	
Cylinder tube	Stainless steel
Piston rod	Stainless steel
Front cover	Aluminum, anodized
End cover	Aluminum, anodized
Seal	Polyurethane
Nut for piston rod	Steel, galvanized
Scraper	Polyurethane
Guide bushing	Steel, Bronze, Polytetrafluorethylene
Bushing in rear eye	Sintered steel
Grease	AGF (NSF-H1)

Dimensions

Dimensions



S = stroke

Dimensions

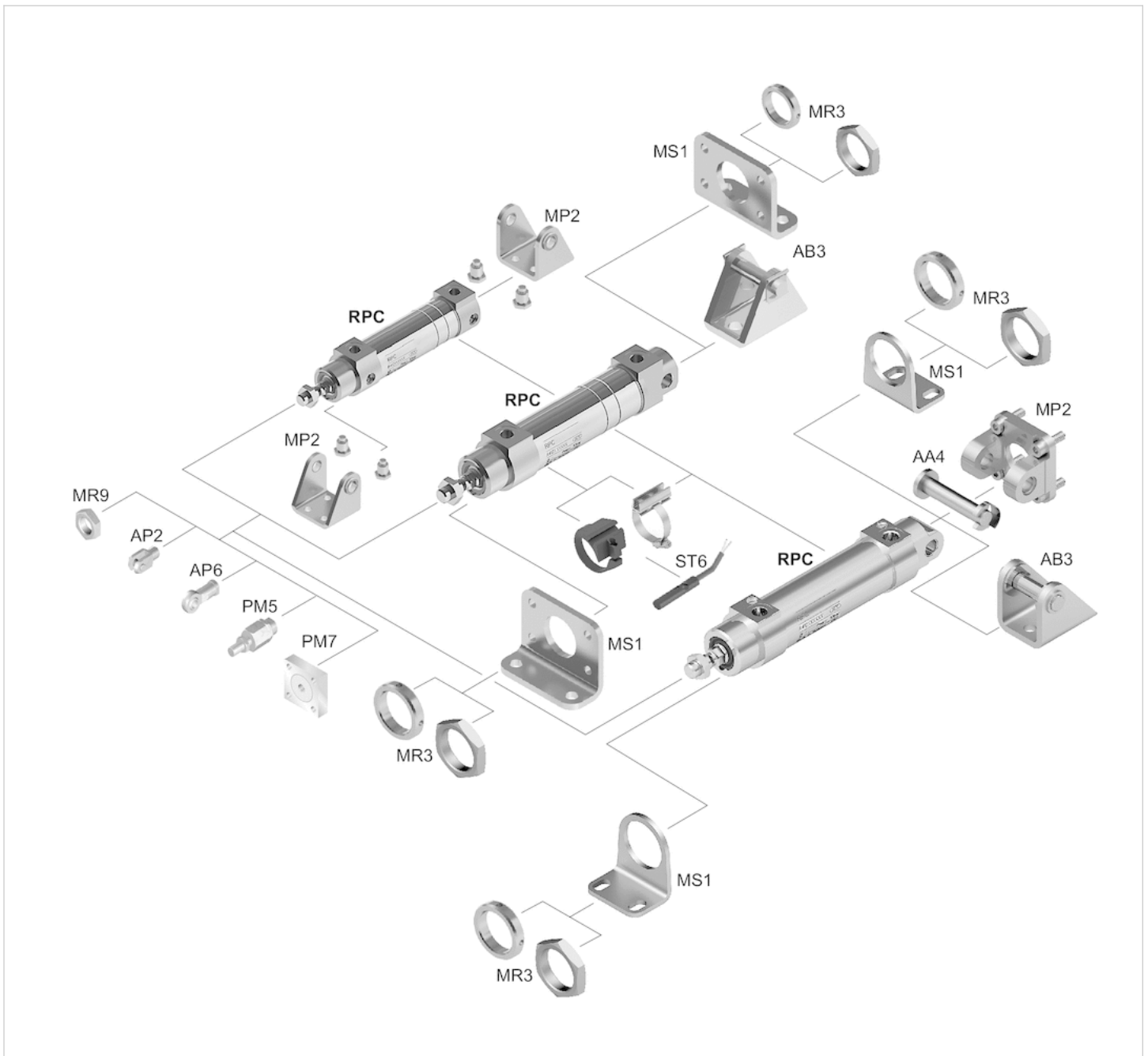
Piston \varnothing	A	BE	BF	$\varnothing CD H9$	$\varnothing D1$	$\varnothing D2$	E	EE	EW	KK	KX	KY	L *	$\varnothing MM$
32 mm	22	M30x1,5	20	10	36	33,6	37	G 1/8	26	M10x1,25	16	5	92	12
40 mm	24	M38x1,5	23	12	45	41,6	45	G 1/4	28	M12x1,25	18	6	107	16
50 mm	32	M45x1,5	24	12	55	52,4	55	G 1/4	32	M16x1,5	24	8	110	20
63 mm	32	M45x1,5	26.5	16	69	65,4	69	G 3/8	40	M16x1,5	24	8	125	20

Piston Ø	M1	M2	MR	P	SW2	VA	WF	XC *
32 mm	9,5	9,5	10,5	24	10	16	27	143
40 mm	11,5	11,5	13	21	13	19	32	160
50 mm	11,5	11,5	13	25	17	18,5	35	170
63 mm	13,5	13,5	17	31	17	23	35	191

* for stroke 26-50 mm, length dimensions XC and L are 25 mm longer

Accessories overview

Overview drawing



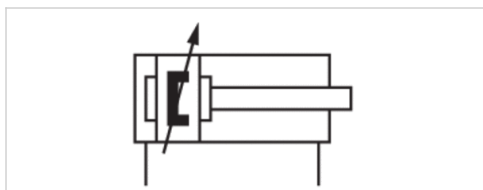
NOTE:
 This overview drawing is only for orientation to indicate where the various accessory parts can be fastened to the cylinder. The illustration has been simplified for this purpose. It is thus not possible to derive the dimensions from this overview.

Round cylinder, Series RPC

- Version: standard type
- Ø 32-63 mm
- Ports G 1/8 G 1/4 G 3/8
- double-acting
- with magnetic piston
- Cushioning pneumatically adjustable
- with integrated rear eye
- Piston rod External thread
- ATEX optional



Compressed air connection	Internal thread
Working pressure min./max.	1 ... 10 bar
Ambient temperature min./max.	-20 ... 80 °C
Medium temperature min./max.	-20 ... 80 °C
Medium	Compressed air
Max. particle size	50 µm
Oil content of compressed air	0 ... 5 mg/m ³
Pressure for determining piston forces	6.3 bar



Technical data

Piston Ø Piston rod thread Ports Piston rod Ø	32 mm M10x1,25 G 1/8 12 mm	40 mm M12x1,25 G 1/4 16 mm	50 mm M16x1,5 G 1/4 20 mm	63 mm M16x1,5 G 3/8 20 mm
Stroke 25	R412020728	R412020739	R412020750	R412020761
50	R412020729	R412020740	R412020751	R412020762
80	R412020730	R412020741	R412020752	R412020763
100	R412020731	R412020742	R412020753	R412020764
125	R412020732	R412020743	R412020754	R412020765
160	R412020733	R412020744	R412020755	R412020766
200	R412020734	R412020745	R412020756	R412020767
250	R412020735	R412020746	R412020757	R412020768
320	R412020736	R412020747	R412020758	R412020769
400	R412020737	R412020748	R412020759	R412020770
500	R412020738	R412020749	R412020760	R412020771

Technical data

Piston Ø	32 mm	40 mm	50 mm	63 mm
Retracting piston force	435 N	660 N	1035 N	1765 N
Extracting piston force	505 N	790 N	1235 N	1960 N
Cushioning length	16,5 mm	19 mm	17 mm	16,5 mm
Cushioning energy	4,8 J	9 J	15 J	27 J
Weight 0 mm stroke	0,34 kg	0,58 kg	0,96 kg	1,3 kg
Weight +10 mm stroke	0,015 kg	0,024 kg	0,04 kg	0,044 kg
Stroke max.	1200 mm	1200 mm	1200 mm	1200 mm

Use our Internet configurator to order these variants with coarse-pitch thread M10x1.5 or M12x1.75.

Technical information

The pressure dew point must be at least 15 °C under ambient and medium temperature and may not exceed 3 °C .

The oil content of compressed air must remain constant during the life cycle.

Use only the approved oils from AVENTICS. Further information can be found in the "Technical information" document (available in the MediaCentre).

Clamping piece for magnetic field sensor necessary

Use our Internet configurator to order these variants with coarse-pitch thread M10x1.5 or M12x1.75.

ATEX-certified cylinders with identification II 2G Ex h IIC T4 Gb / II 2D Ex h IIIC T135°C Db_X can be generated in the Internet configurator.

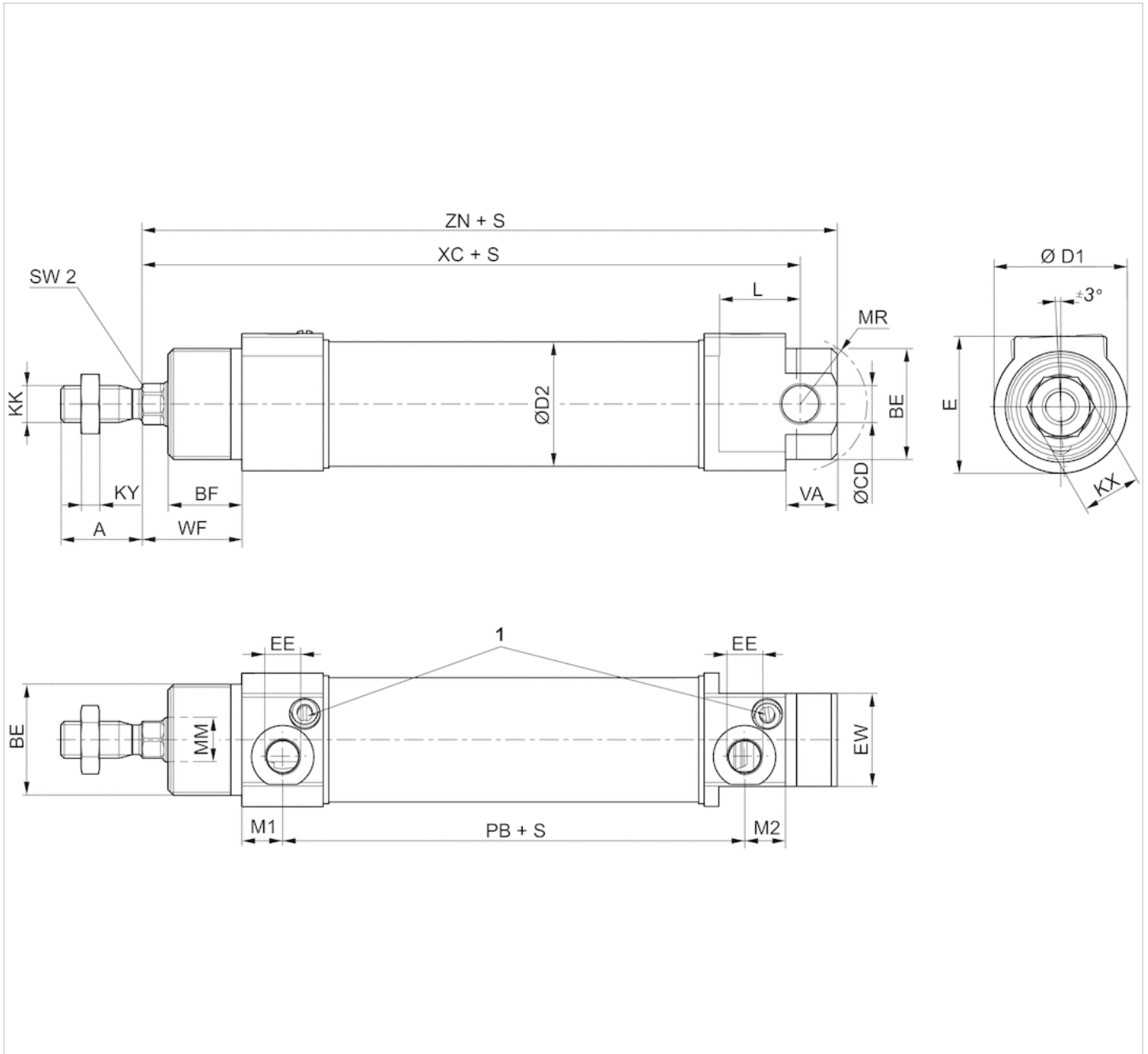
The operating temperature range for ATEX-certified cylinders is -20°C ... 60°C.

Technical information

Material	
Cylinder tube	Stainless steel
Piston rod	Stainless steel
Front cover	Aluminum, anodized
End cover	Aluminum, anodized
Seal	Polyurethane
Nut for piston rod	Steel, galvanized
Scraper	Polyurethane
Guide bushing	Steel
Grease	AGF (NSF-H1)

Dimensions

Dimensions



S=stroke

1) Slot in throttle screw 1 mm

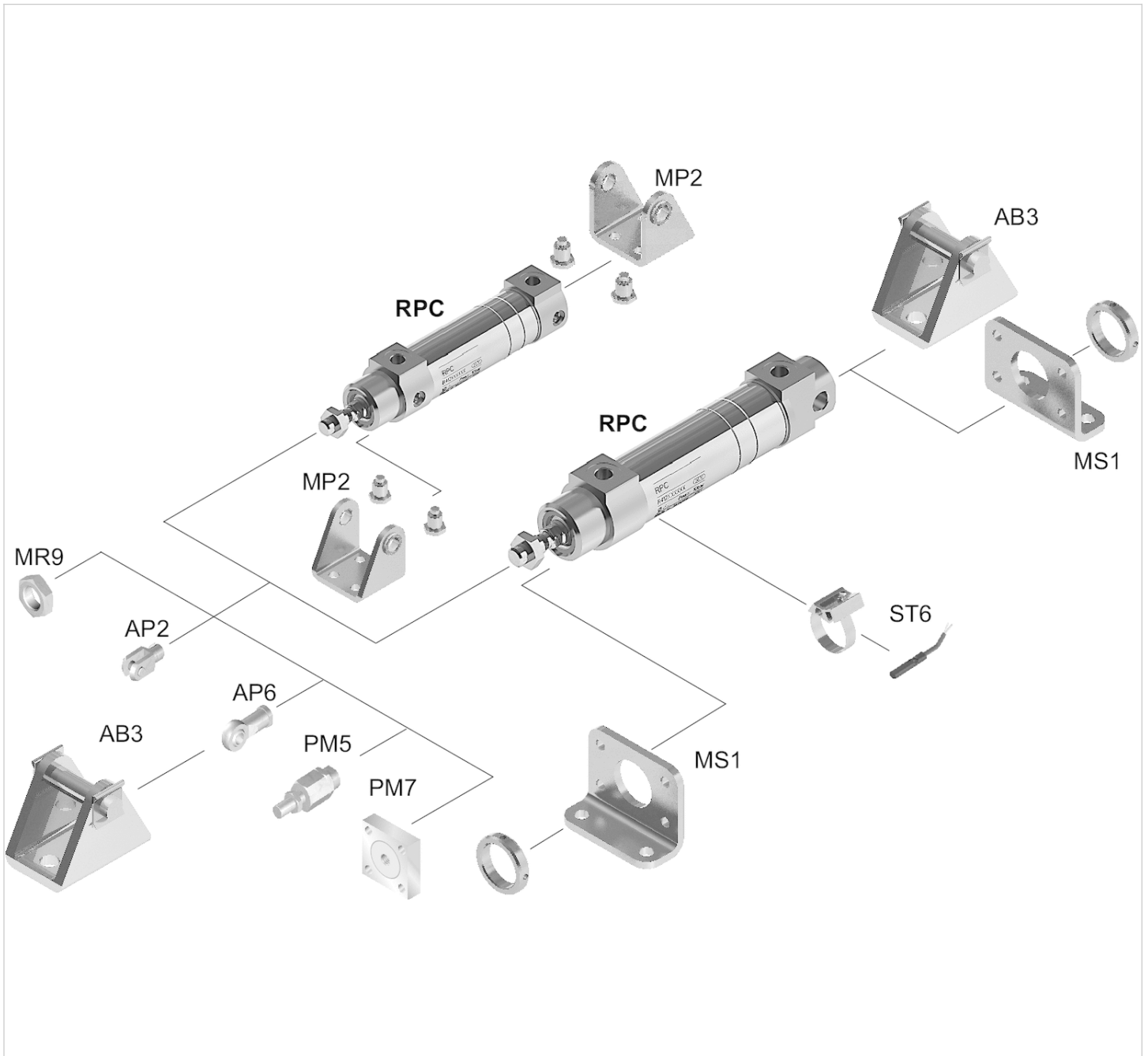
Dimensions

Piston Ø	A	BE	BF	Ø CD H8	Ø D1	Ø D2	E	EE	EW	KK	KX	KY	L min.
32 mm	22	M30x1,5	20	10	36	33.5	37	G 1/8	25	M10x1,25*	16	5	22
40 mm	24	M38x1.5	23	12	45	41.5	45	G 1/4	30	M12x1,25*	19	6	23
50 mm	32	M45x1,5	24	12	55	52.5	55	G 1/4	35	M16x1,5	24	8	26
63 mm	32	M45x1,5	26.5	16	69	65.4	69	G 3/8	35	M16x1,5	24	8	29

Piston Ø	Ø MM f8	M1	M2	MR	PB	SW2	VA	WF	XC	ZN
32 mm	12	11	11	18	75	10	14	27	128	138
40 mm	16	11.5	11.5	22.5	87	13	15	32	146	157
50 mm	20	11.5	11.5	25.5	87.5	17	18	33.5	151	162
63 mm	20	13	13.5	36.5	92	17	20	36.5	161	175

Accessories overview

Overview drawing



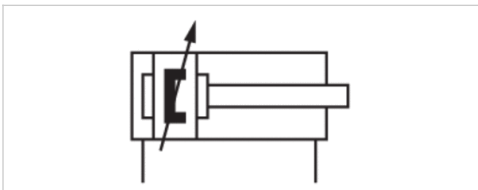
NOTE:
 This overview drawing is only for orientation to indicate where the various accessory parts can be fastened to the cylinder. The illustration has been simplified for this purpose. It is thus not possible to derive the dimensions from this overview.

Round cylinder, Series RPC

- Version: Standard type, heat-resistant
- Ø 32-63 mm
- Ports G 1/8 G 1/4 G 3/8
- double-acting
- with magnetic piston
- Cushioning pneumatically adjustable
- with integrated rear eye
- Piston rod External thread
- Heat resistant



Compressed air connection	Internal thread
Working pressure min./max.	1 ... 10 bar
Ambient temperature min./max.	-10 ... 150 °C
Medium temperature min./max.	-10 ... 150 °C
Medium	Compressed air
Max. particle size	50 µm
Oil content of compressed air	0 ... 5 mg/m ³
Pressure for determining piston forces	6.3 bar



Technical data

Piston Ø Piston rod thread Ports Piston rod Ø	32 mm M10x1,25 G 1/8 12 mm	40 mm M12x1,25 G 1/4 16 mm	50 mm M16x1,5 G 1/4 20 mm	63 mm M16x1,5 G 3/8 20 mm
Stroke 25	R412020772	R412020783	R412020794	R412020805
50	R412020773	R412020784	R412020795	R412020806
80	R412020774	R412020785	R412020796	R412020807
100	R412020775	R412020786	R412020797	R412020808
125	R412020776	R412020787	R412020798	R412020809
160	R412020777	R412020788	R412020799	R412020810
200	R412020778	R412020789	R412020800	R412020811
250	R412020779	R412020790	R412020801	R412020812
320	R412020780	R412020791	R412020802	R412020813
400	R412020781	R412020792	R412020803	R412020814
500	R412020782	R412020793	R412020804	R412020815

Technical data

Piston Ø	32 mm	40 mm	50 mm	63 mm
Retracting piston force	435 N	660 N	1035 N	1765 N
Extracting piston force	505 N	790 N	1235 N	1960 N
Cushioning length	16,5 mm	19 mm	17 mm	16,5 mm
Cushioning energy	4,8 J	9 J	15 J	27 J
Weight 0 mm stroke	0,37 kg	0,66 kg	1,38 kg	1,4 kg
Weight +10 mm stroke	0,015 kg	0,024 kg	0,04 kg	0,044 kg
Stroke max.	1200 mm	1200 mm	1200 mm	1200 mm

Technical information

The pressure dew point must be at least 15 °C under ambient and medium temperature and may not exceed 3 °C .

The oil content of compressed air must remain constant during the life cycle.

Use only the approved oils from AVENTICS. Further information can be found in the "Technical information" document (available in the MediaCentre).

Clamping piece for magnetic field sensor necessary

Ambient temperature with contact query max. 120 °C

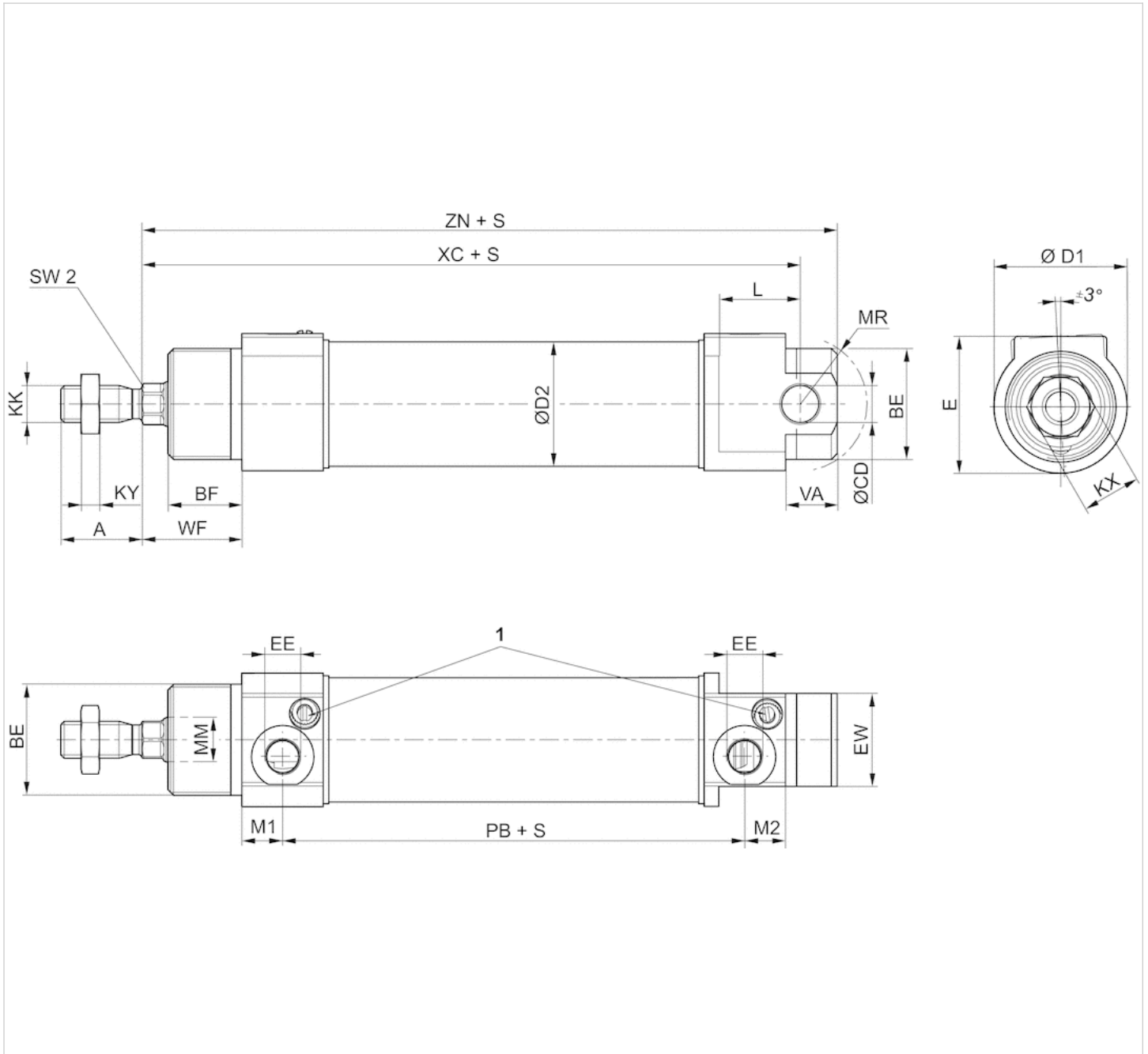
Use our Internet configurator to order these variants with coarse-pitch thread M10x1.5 or M12x1.75.

Technical information

Material	
Cylinder tube	Stainless steel
Piston rod	Stainless steel
Front cover	Aluminum, anodized
End cover	Aluminum, anodized
Seal	Fluorocaoutchouc
Nut for piston rod	Steel, galvanized
Scraper	Fluorocaoutchouc
Guide bushing	Steel
Grease	AGH

Dimensions

Dimensions



S=stroke

1) Slot in throttle screw 1 mm

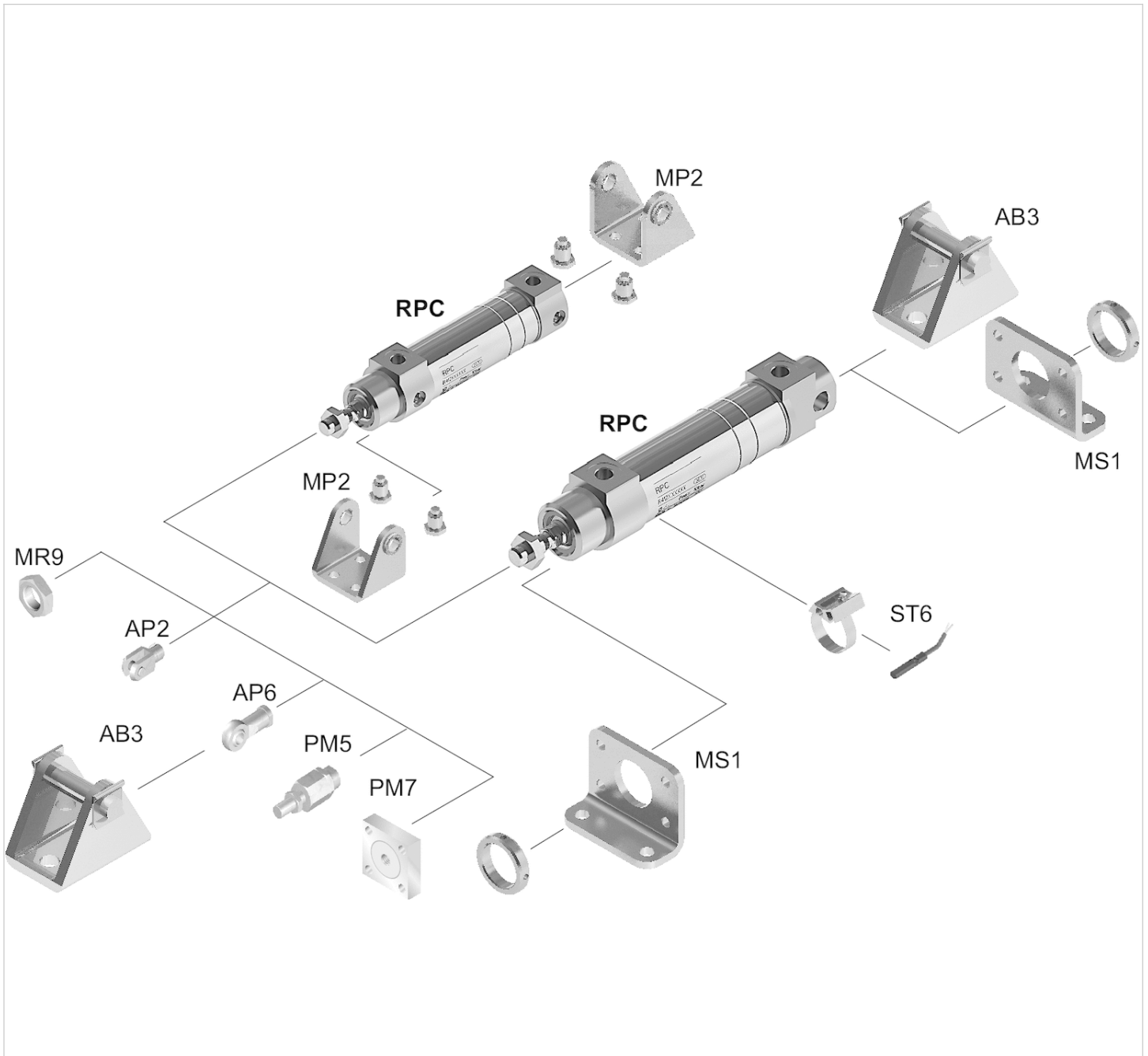
Dimensions

Piston Ø	A	BE	BF	Ø CD H8	Ø D1	Ø D2	E	EE	EW	KK	KX	KY	L min.
32 mm	22	M30x1,5	20	10	36	33.5	37	G 1/8	25	M10x1,25*	16	5	22
40 mm	24	M38x1.5	23	12	45	41.5	45	G 1/4	30	M12x1,25*	19	6	23
50 mm	32	M45x1,5	24	12	55	52.5	55	G 1/4	35	M16x1,5	24	8	26
63 mm	32	M45x1,5	26.5	16	69	65.4	69	G 3/8	35	M16x1,5	24	8	29

Piston Ø	Ø MM f8	M1	M2	MR	PB	SW2	VA	WF	XC	ZN
32 mm	12	11	11	18	75	10	14	27	128	138
40 mm	16	11.5	11.5	22.5	87	13	15	32	146	157
50 mm	20	11.5	11.5	25.5	87.5	17	18	33.5	151	162
63 mm	20	13	13.5	36.5	92	17	20	36.5	161	175

Accessories overview

Overview drawing



NOTE:
 This overview drawing is only for orientation to indicate where the various accessory parts can be fastened to the cylinder. The illustration has been simplified for this purpose. It is thus not possible to derive the dimensions from this overview.

Round cylinder, Series RPC

- Version: compact type
- Ø 32-63 mm
- Ports G 1/8 G 1/4 G 3/8
- double-acting
- with magnetic piston
- Cushioning elastic non-adjustable
- with integrated rear eye
- Piston rod External thread
- ATEX optional



Compressed air connection	Internal thread
Working pressure min./max.	1 ... 10 bar
Ambient temperature min./max.	-20 ... 80 °C
Medium temperature min./max.	-20 ... 80 °C
Medium	Compressed air
Max. particle size	50 µm
Oil content of compressed air	0 ... 5 mg/m ³
Pressure for determining piston forces	6.3 bar



Technical data

Piston Ø Piston rod thread Ports Piston rod Ø	32 mm M10x1,25 G 1/8 12 mm	40 mm M12x1,25 G 1/4 16 mm	50 mm M16x1,5 G 1/4 20 mm	63 mm M16x1,5 G 3/8 20 mm
Stroke 25	R412020684	R412020695	R412020706	R412020717
50	R412020685	R412020696	R412020707	R412020718
80	R412020686	R412020697	R412020708	R412020719
100	R412020687	R412020698	R412020709	R412020720
125	R412020688	R412020699	R412020710	R412020721
160	R412020689	R412020700	R412020711	R412020722
200	R412020690	R412020701	R412020712	R412020723
250	R412020691	R412020702	R412020713	R412020724
320	R412020692	R412020703	R412020714	R412020725
400	R412020693	R412020704	R412020715	R412020726
500	R412020694	R412020705	R412020716	R412020727

Technical data

Piston Ø	32 mm	40 mm	50 mm	63 mm
Retracting piston force	435 N	660 N	1035 N	1765 N
Extracting piston force	505 N	790 N	1235 N	1960 N
Impact energy	0,8 J	1,04 J	1,28 J	1,5 J
Weight 0 mm stroke	0,33 kg	0,58 kg	0,92 kg	1,62 kg
Weight +10 mm stroke	0,015 kg	0,024 kg	0,04 kg	0,044 kg
Stroke max.	1200 mm	1200 mm	1200 mm	1200 mm

Technical information

The pressure dew point must be at least 15 °C under ambient and medium temperature and may not exceed 3 °C .

The oil content of compressed air must remain constant during the life cycle.

Use only the approved oils from AVENTICS. Further information can be found in the "Technical information" document (available in the MediaCentre).

Clamping piece for magnetic field sensor necessary

Use our Internet configurator to order these variants with coarse-pitch thread M10x1.5 or M12x1.75.

ATEX-certified cylinders with identification II 2G Ex h IIC T4 Gb / II 2D Ex h IIIC T135°C Db_X can be generated in the Internet configurator.

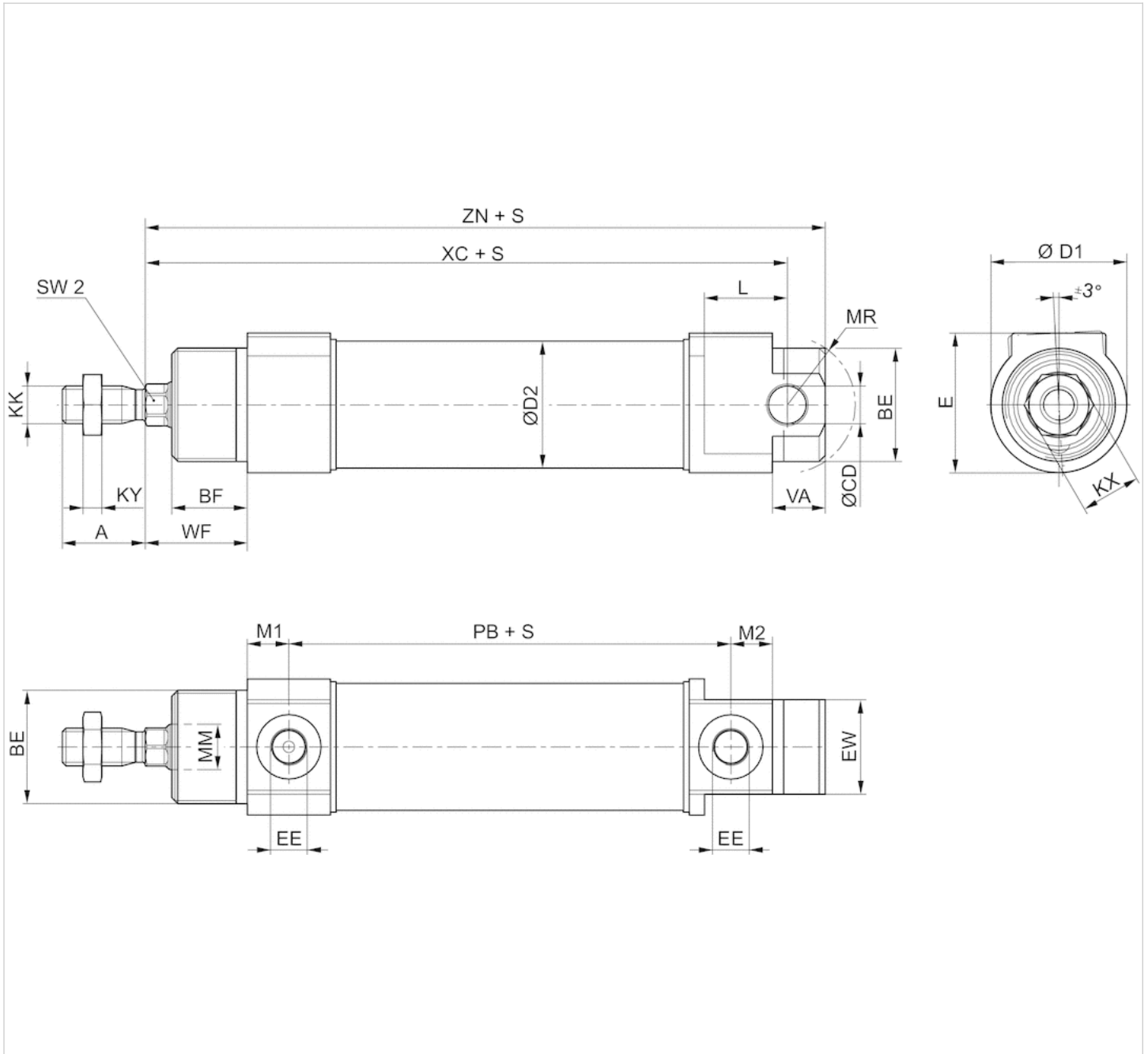
The operating temperature range for ATEX-certified cylinders is -20°C ... 60°C.

Technical information

Material	
Cylinder tube	Stainless steel
Piston rod	Stainless steel
Front cover	Aluminum, anodized
End cover	Aluminum, anodized
Seal	Polyurethane
Nut for piston rod	Steel, galvanized
Scraper	Polyurethane
Guide bushing	Steel
Grease	AGF (NSF-H1)

Dimensions

Dimensions



S=stroke

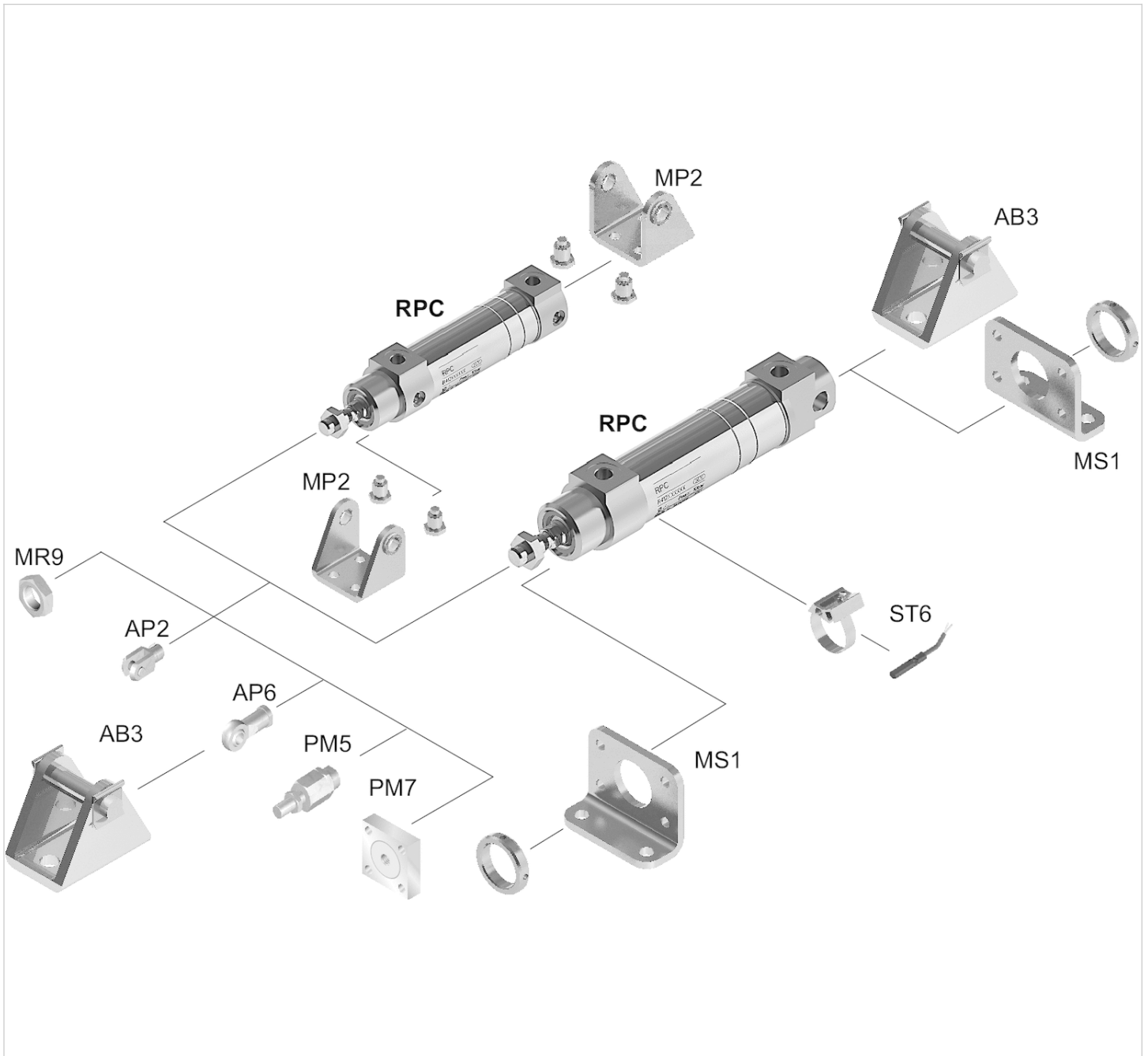
Dimensions

Piston Ø	A	BE	BF	Ø CD H8	Ø D1	Ø D2	E	EE	EW	KK	KX	KY	L min.
32 mm	22	M30x1,5	20	10	36	33.5	37	G 1/8	25	M10x1,25*	16	5	22
40 mm	24	M38x1.5	23	12	45	41.5	45	G 1/4	30	M12x1,25*	19	6	23
50 mm	32	M45x1,5	24	12	55	52.5	55	G 1/4	35	M16x1,5	24	8	26
63 mm	32	M45x1,5	26.5	16	69	65.4	69	G 3/8	35	M16x1,5	24	8	29

Piston Ø	Ø MM f8	M1	M2	MR	PB	SW2	VA	WF	XC	ZN
32 mm	12	11	11	18	67	10	14	27	120	130
40 mm	16	11.5	11.5	22.5	78	13	15	32	136	147
50 mm	20	11.5	11.5	25.5	77.5	17	18	33.5	141	152
63 mm	20	13.5	13.5	36.5	81.5	17	20	36.5	151	165

Accessories overview

Overview drawing



NOTE:
 This overview drawing is only for orientation to indicate where the various accessory parts can be fastened to the cylinder. The illustration has been simplified for this purpose. It is thus not possible to derive the dimensions from this overview.

Round cylinder, Series RPC

- Version: mini type
- Ø 32-63 mm
- Ports G 1/8 G 1/4 G 3/8
- double-acting
- with magnetic piston
- Cushioning elastic non-adjustable
- with trunnion mounting
- Piston rod External thread
- ATEX optional



Compressed air connection	Internal thread
Working pressure min./max.	1 ... 10 bar
Ambient temperature min./max.	-20 ... 80 °C
Medium temperature min./max.	-20 ... 80 °C
Medium	Compressed air
Max. particle size	50 µm
Oil content of compressed air	0 ... 5 mg/m ³
Pressure for determining piston forces	6.3 bar



Technical data

Piston Ø Piston rod thread Ports Piston rod Ø	32 mm M10x1,25 G 1/8 12 mm	40 mm M12x1,25 G 1/4 16 mm	50 mm M16x1,5 G 1/4 20 mm	63 mm M16x1,5 G 3/8 20 mm
Stroke 25	R412020640	R412020651	R412020662	R412020673
50	R412020641	R412020652	R412020663	R412020674
80	R412020642	R412020653	R412020664	R412020675
100	R412020643	R412020654	R412020665	R412020676
125	R412020644	R412020655	R412020666	R412020677
160	R412020645	R412020656	R412020667	R412020678
200	R412020646	R412020657	R412020668	R412020679
250	R412020647	R412020658	R412020669	R412020680
320	R412020648	R412020659	R412020670	R412020681
400	R412020649	R412020660	R412020671	R412020682
500	R412020650	R412020661	R412020672	R412020683

Technical data

Piston Ø	32 mm	40 mm	50 mm	63 mm
Retracting piston force	435 N	660 N	1035 N	1765 N
Extracting piston force	505 N	790 N	1235 N	1960 N
Impact energy	0,8 J	1,04 J	1,28 J	1,5 J
Weight 0 mm stroke	0,3 kg	0,56 kg	0,88 kg	1,63 kg
Weight +10 mm stroke	0,015 kg	0,024 kg	0,04 kg	0,044 kg
Stroke max.	1200 mm	1200 mm	1200 mm	1200 mm

Technical information

The pressure dew point must be at least 15 °C under ambient and medium temperature and may not exceed 3 °C .

The oil content of compressed air must remain constant during the life cycle.

Use only the approved oils from AVENTICS. Further information can be found in the "Technical information" document (available in the MediaCentre).

Clamping piece for magnetic field sensor necessary

Use our Internet configurator to order these variants with coarse-pitch thread M10x1.5 or M12x1.75.

ATEX-certified cylinders with identification II 2G Ex h IIC T4 Gb / II 2D Ex h IIIC T135°C Db_X can be generated in the Internet configurator.

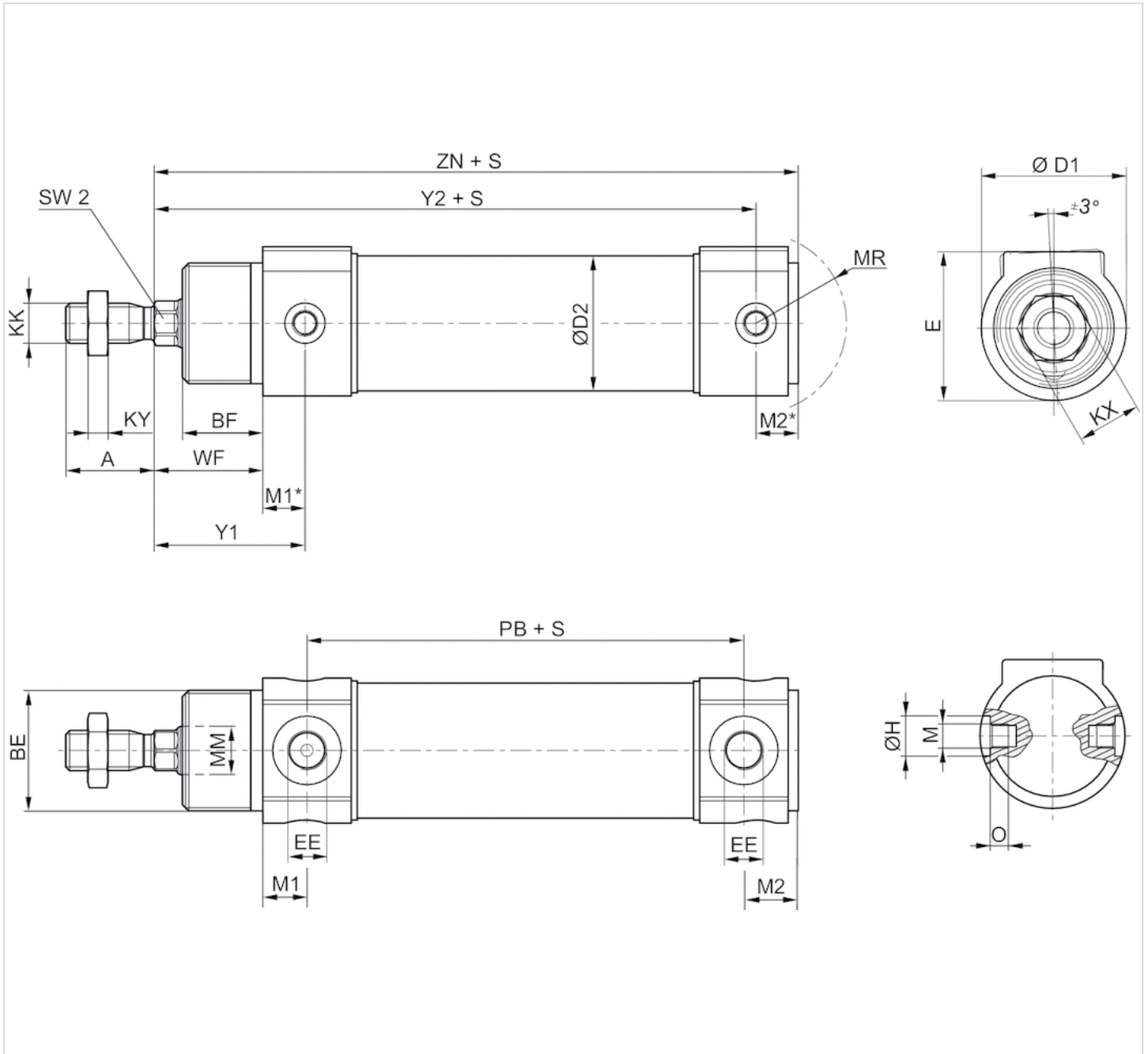
The operating temperature range for ATEX-certified cylinders is -20°C ... 60°C.

Technical information

Material	
Cylinder tube	Stainless steel
Piston rod	Stainless steel
Front cover	Aluminum, anodized
End cover	Aluminum, anodized
Seal	Polyurethane
Nut for piston rod	Steel, galvanized
Scraper	Polyurethane
Guide bushing	Steel
Grease	AGF (NSF-H1)

Dimensions

Dimensions



S=stroke

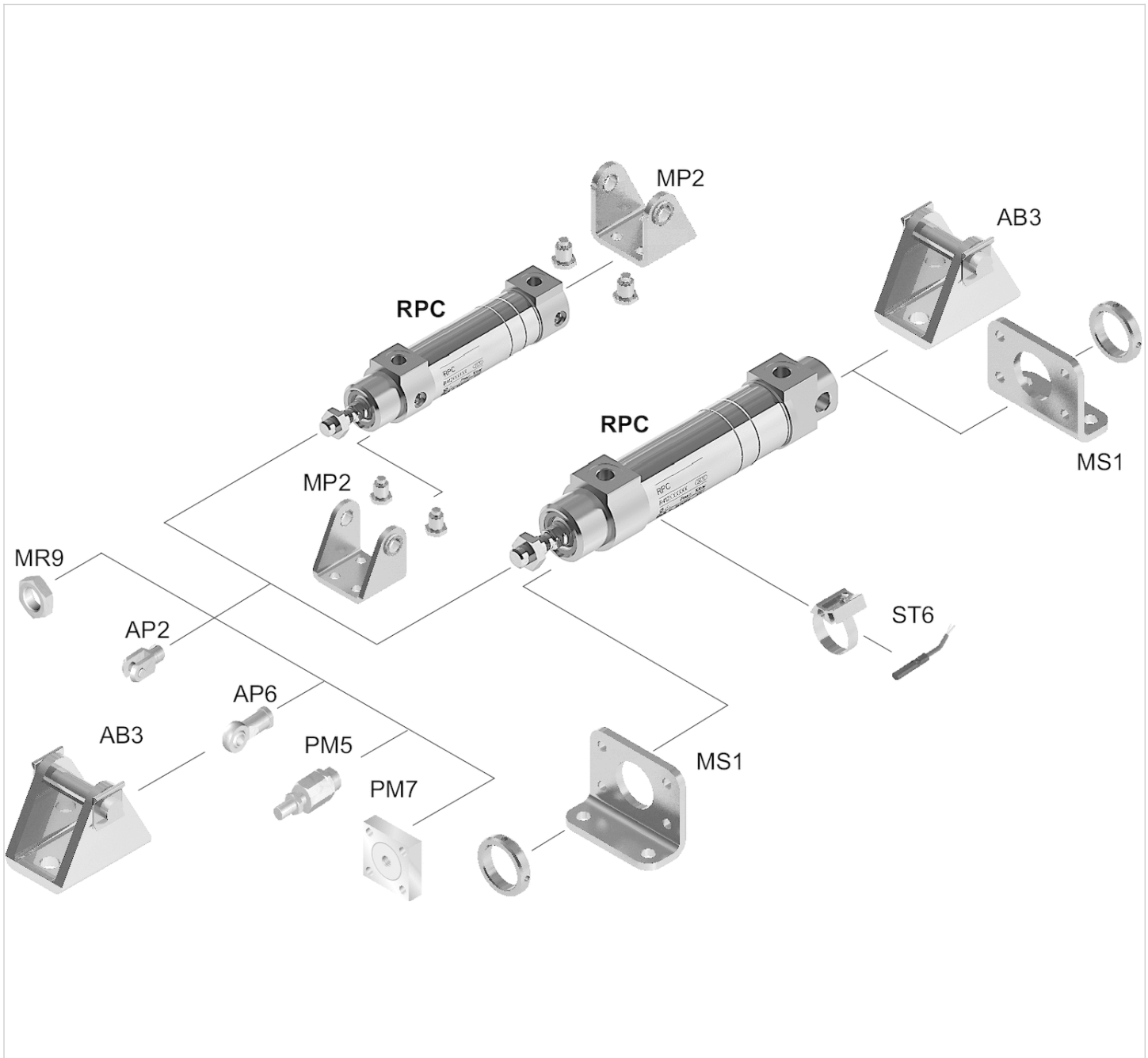
Dimensions

Piston Ø	A	BE	BF	Ø D1	Ø D2	E	EE	Ø H	KK	KX	KY	M	Ø MM f8	M1
32 mm	22	M30x1,5	20	36	33.5	37	G 1/8	10	M10x1,25*	16	5	M6x0,5	12	11
40 mm	24	M38x1.5	23	45	41.5	45	G 1/4	12	M12x1,25*	19	6	M6x0,5	16	11.5
50 mm	32	M45x1,5	24	55	52.5	55	G 1/4	14	M16x1,5	24	8	M8x0,75	20	11.5
63 mm	32	M45x1,5	26.5	69	65.4	69	G 3/8	16	M16x1,5	24	8	M8x0,75	20	13.5

Piston Ø	M1*	M2	M2*	MR	O	PB	SW2	WF	Y1	Y2	ZN
32 mm	10.5	13.5	10.5	22.5	4.5	58.5	10	27	37.5	99.5	110
40 mm	12	14	12.5	25.5	4.5	76	13	32	43	120	132.5
50 mm	10	14	12.5	31	7.5	75.5	17	33.5	43.5	122	134.5
63 mm	16	16	11.5	37.5	7.5	79	17	36.5	52.5	134	145.5

Accessories overview

Overview drawing



NOTE:

This overview drawing is only for orientation to indicate where the various accessory parts can be fastened to the cylinder. The illustration has been simplified for this purpose. It is thus not possible to derive the dimensions from this overview.

Clevis mounting AB3, Series CM1

- Version: ISO-type
- Suitable piston Ø 32 40 50 63 mm
- for series RPC



Technical data

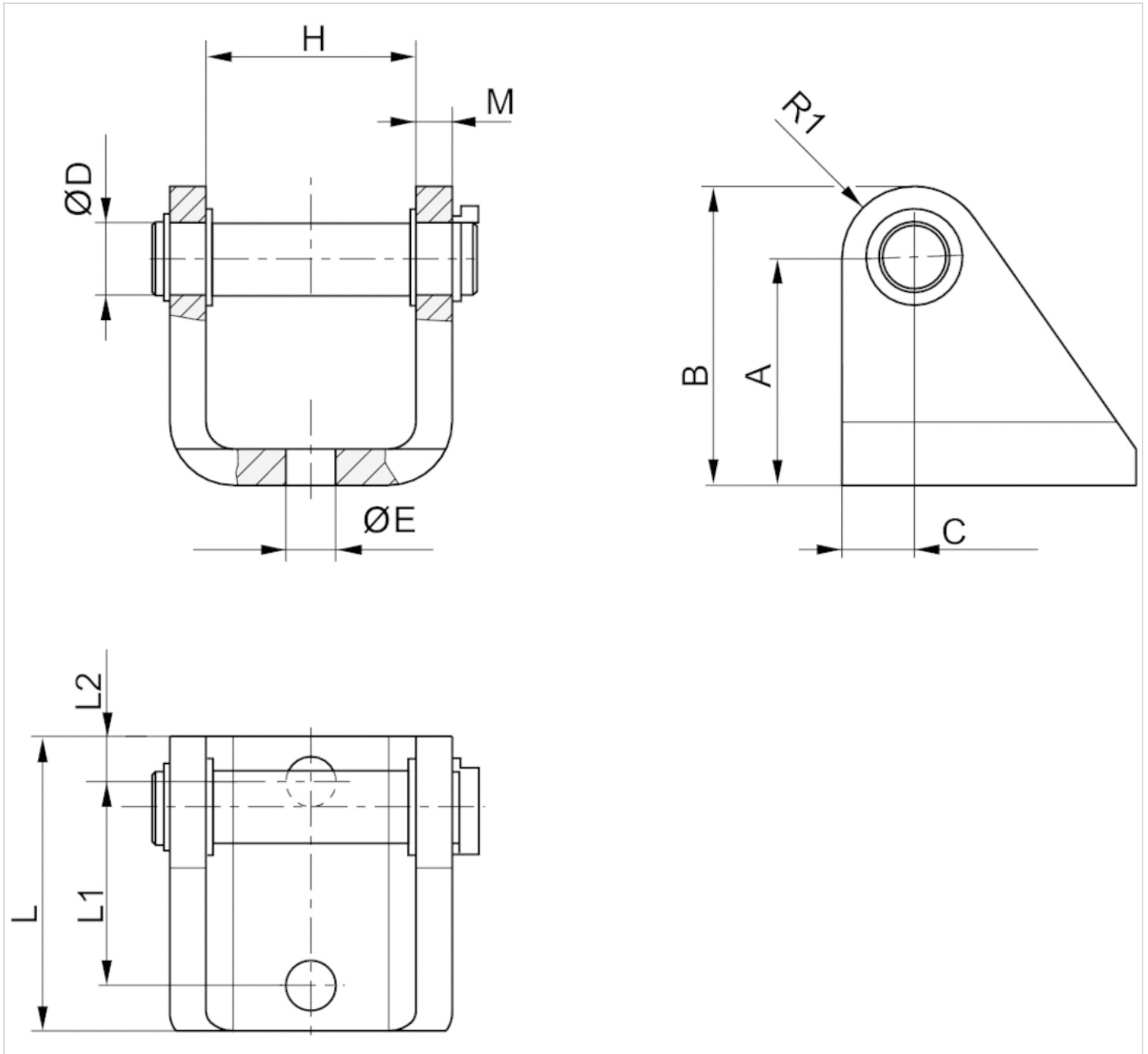
Part No.	Piston Ø
R412027805	32 mm
R412027806	40 mm
R412027807	50 mm
R412027808	63 mm

Scope of delivery: clevis mounting incl. pivot pins

Technical information

Material	
Material	galvanized steel

Dimensions



Dimensions

Part No.	A	B	C	ØD	ØE	H	M	L	L1	L2	R1
R412027805	32	44	12	10	9	30.2	5	55	35	10	12
R412027806	36	49	13	12	9	33.2	5	55	35	10	13
R412027807	45	58	13	12	11	37.2	8	55	35	10	13
R412027808	50	66	16	16	11	46.4	8	65	45	10	16

Clevis mounting AB3, Series CM1

- Suitable piston Ø 32 40 50 63 mm

- for series RPC



Technical data

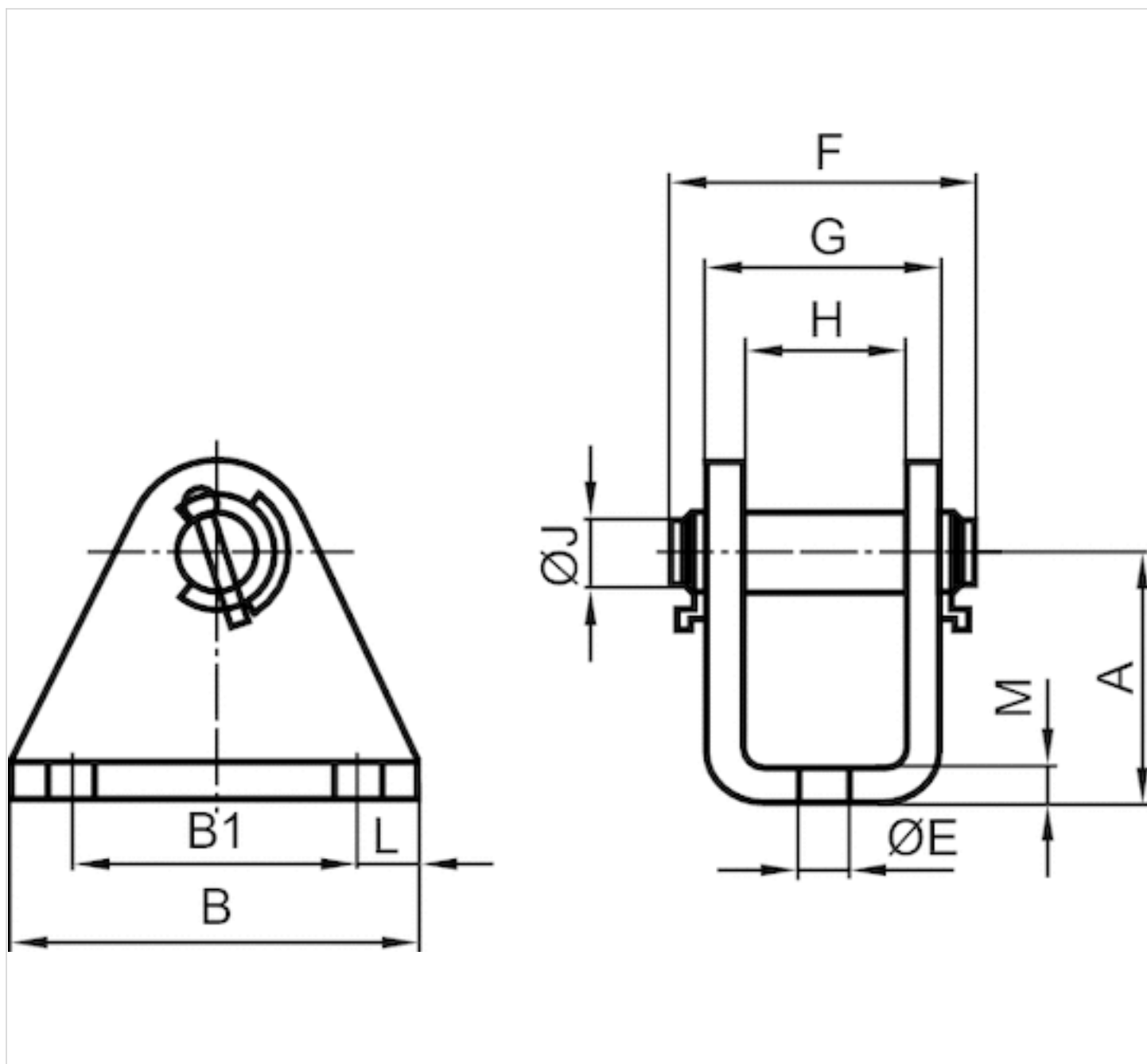
Part No.	Piston Ø
5217103402	32 mm
5217113402	40 mm
5217123402	50 mm
5217133402	63 mm

Scope of delivery: clevis mounting incl. pivot pins

Technical information

Material	
Material	galvanized steel

Dimensions



Dimensions

Part No.	A	B	B1	Ø E	F	G	H	Ø J	L	M
5217103402	35	55	35	9	55	35.1	25.1	10	10	5
5217113402	40	55	35	9	65	40.1	30.1	12	10	5
5217123402	50	55	35	11	75	51.1	35.1	12	10	8
5217133402	60	65	45	11	75	51.1	35.1	16	10	8

Clevis mounting MP2-HD, Series CM1

- Suitable for robust mechanical engineering applications
- Cylinder mounting in accordance with ISO 15552
- Suitable piston \varnothing 32 40 50 63 mm



Standards

ISO 15552

Technical data

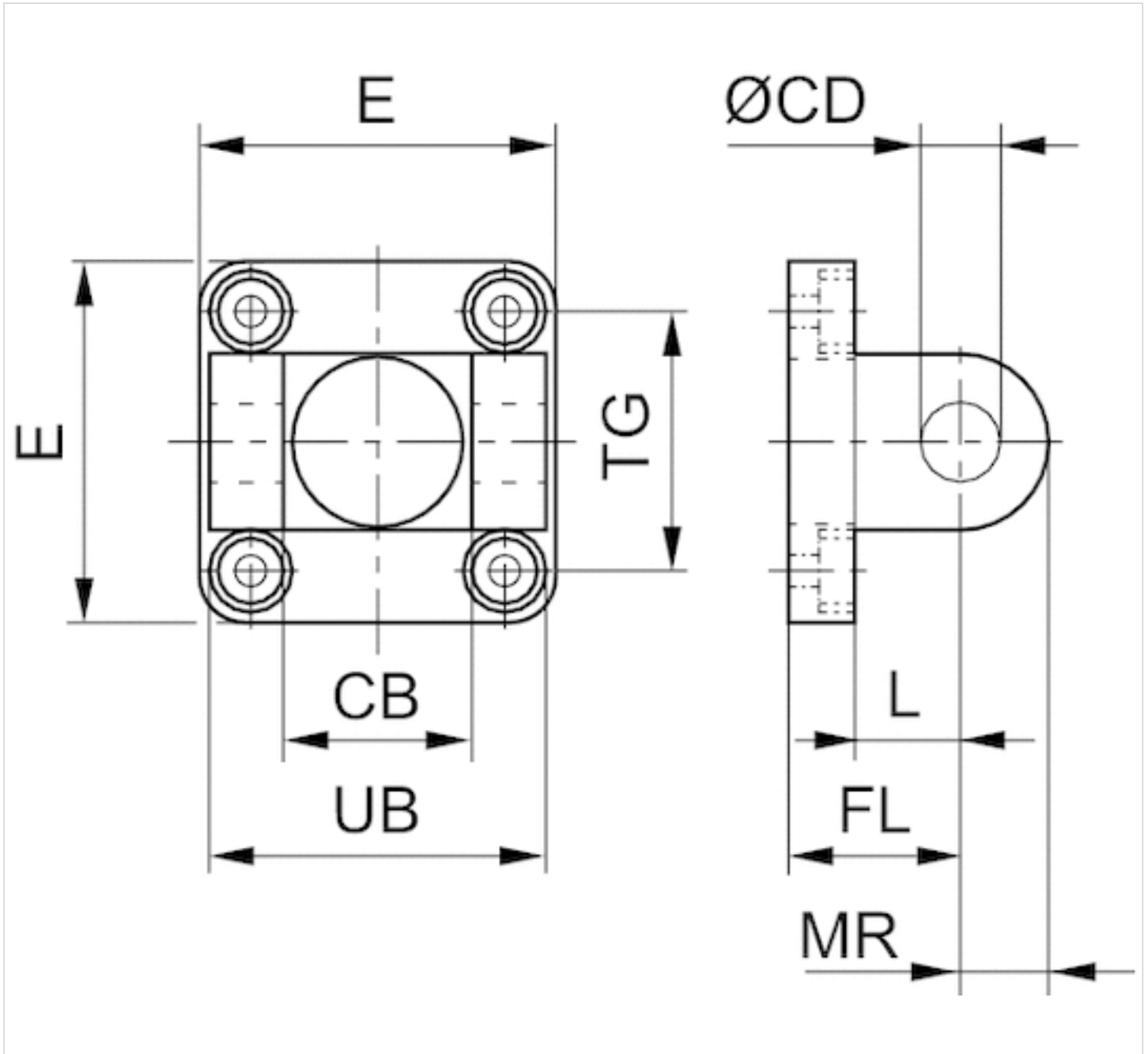
Part No.	Piston \varnothing	Swivel bearing \varnothing
1827001289	32 mm	10 mm
1827001290	40 mm	12 mm
1827001291	50 mm	12 mm
1827001500	63 mm	16 mm

Scope of delivery: clevis mounting incl. mounting screws

Technical information

Material	
Material	Aluminum (forged)
Screws	Steel galvanized

Dimensions



Dimensions

Part No.	Piston Ø	CB H14	Ø CD H9	E	FL ±0.2	L min.	MR max.	UB h13	TG
1827001289	32 mm	26	10	47.5	22	12	10	45	32.5 ±0.2
1827001290	40 mm	28	12	53.5	25	15	13	52	38 ±0.2
1827001291	50 mm	32	12	64	27	15	13	60	46.5 ±0.2
1827001500	63 mm	40	16	74	32	18	17	70	56.5 ±0.2

Foot mounting MS1, Series CM1

- Version: ISO-type
- Suitable piston Ø 32 40 50 63 mm
- for series RPC



Technical data

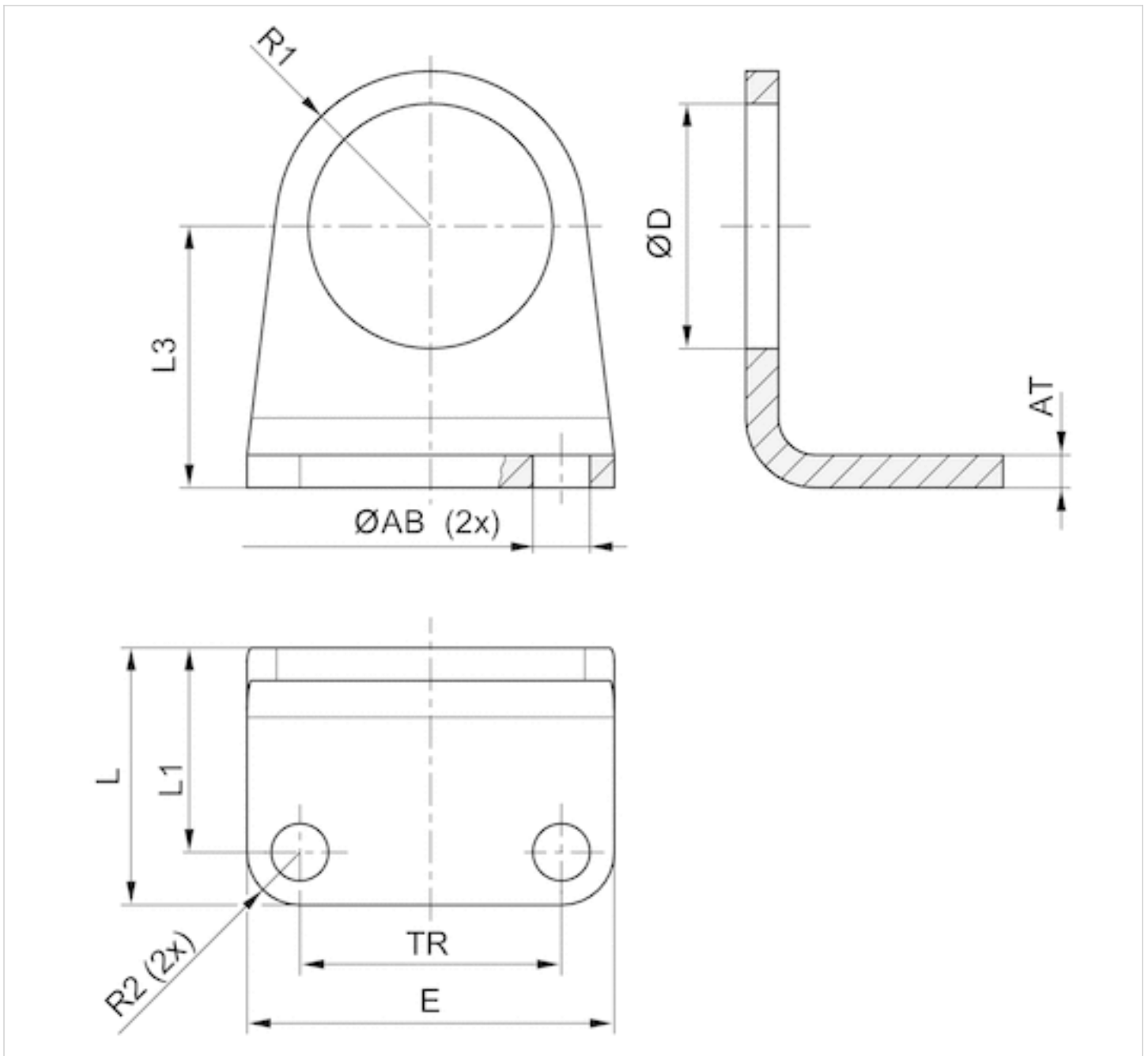
Part No.	Piston Ø
R412027801	32 mm
R412027802	40 mm
R412027803	50 mm
R412027804	63 mm

Technical information

Material	
Material	galvanized steel

Dimensions

Dimensions



Dimensions

Part No.	Ø AB H13	AT	E	TR	Ø D	L	L1	L2	R1	R2
R412027801	7	4	45	32	30	31.5	25	32	19	6.5
R412027802	9	4	52	36	38	38	24/30 *	36	24	8
R412027803	9	5	65	45	45	40	30	45	28	10
R412027804	9	5	70	50	45	40	30	50	35	10

*contains elongated hole

Foot mounting MS1, Series CM1

- Version: standard/compact/short type
- Suitable piston Ø 32 40 50 63 mm
- for series RPC



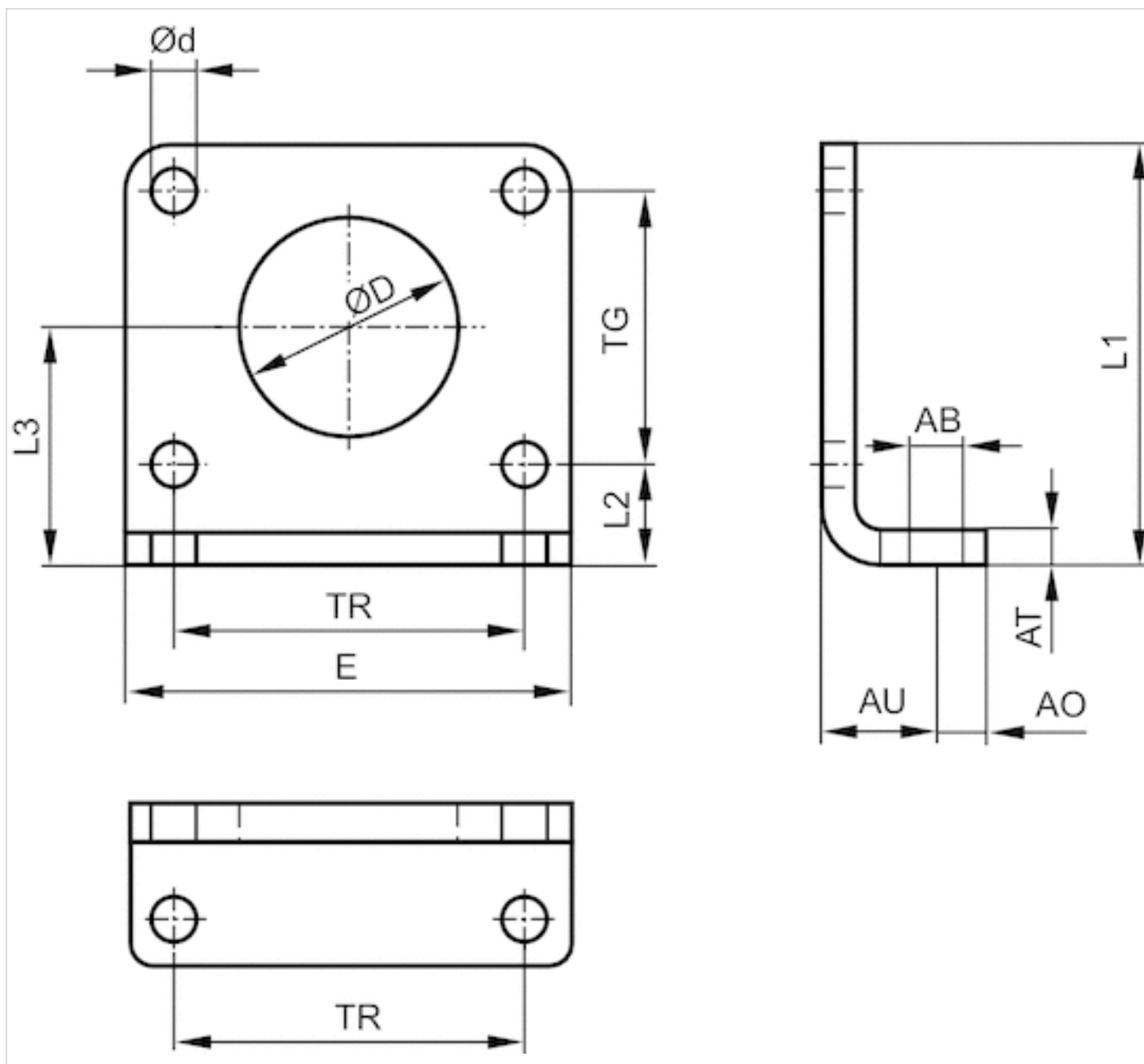
Technical data

Part No.	Piston Ø
5217000504	32 mm
5217010504	40 mm
5217020504	50 mm
5217030504	63 mm

Technical information

Material	
Material	Steel
	galvanized

Dimensions



Dimensions

Part No.	Ø AB	AO	AT	AU ±0,2	Ø d	E	L1	L2	L3	Ø D	TG ±0,2	TR
5217000504	9	10	5	20	7	72	56	18	32	30	28	52
5217010504	9	10	5	20	9	80	58	18	33	38	30	60
5217020504	11	10	6	25	9	90	75	25	45	45	40	70
5217030504	11	10	6	25	9	96	85	25	50	45	50	76

Round nut with set pin hole inside MR3, series CM1

- for cylinder mounting
- Suitable piston Ø 32 40 50, 63 mm
- for series RPC



Weight

See table below

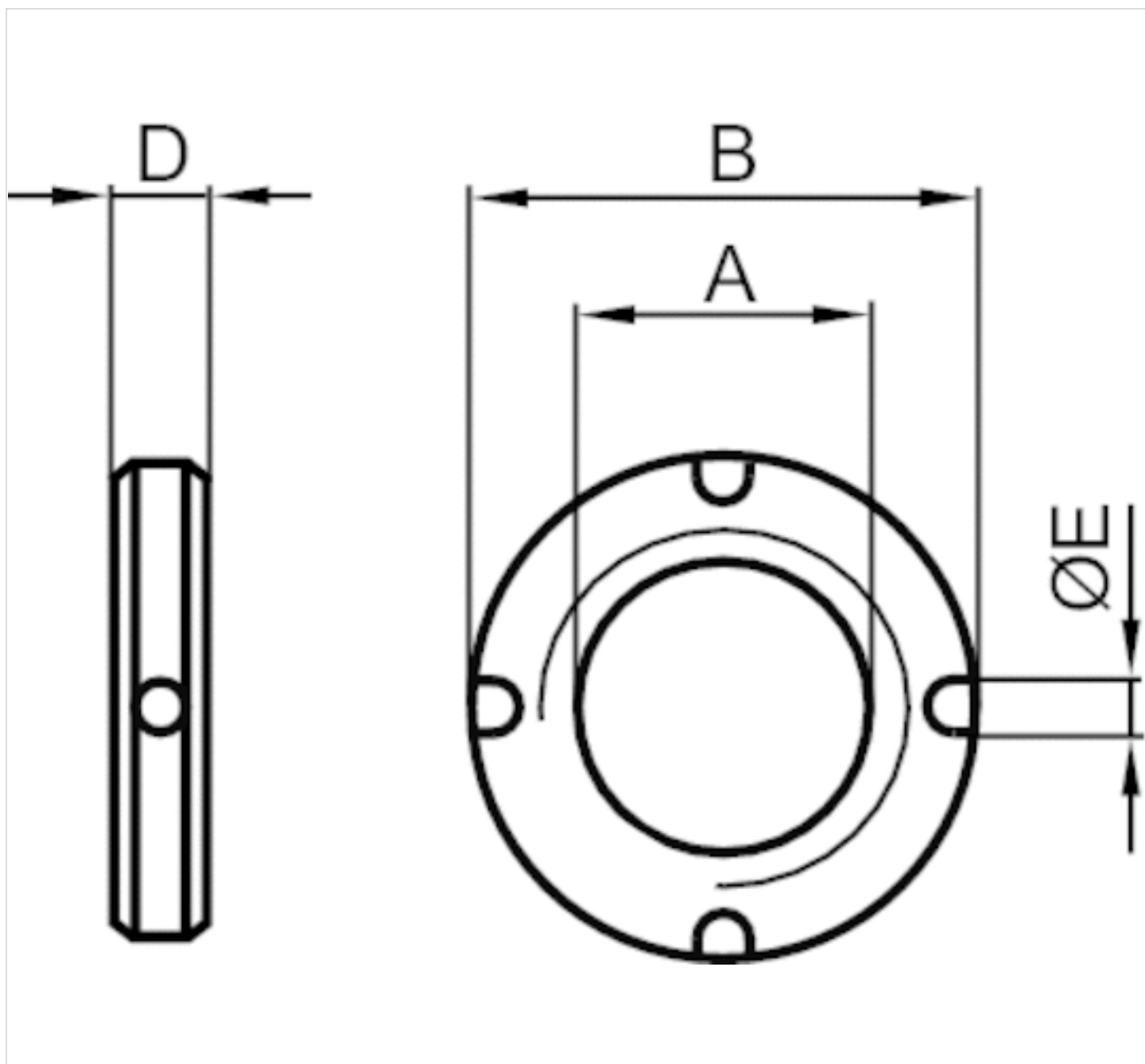
Technical data

Part No.	Piston Ø	Thread size	Weight
8915308704	32 mm	M30x1,5	0,03 kg
8915307604	40 mm	M38x1,5	0,06 kg
8915309004	50, 63 mm	M45x1,5	0,06 kg

Technical information

Material	
Material	Steel
	galvanized

Dimensions



Dimensions

Part No.	A	$\text{Ø} B$	D	E
8915308704	M30x1,5	38	8	4
8915307604	M38x1,5	50	10	5
8915309004	M45x1,5	55	10	5

Nut MR3, series CM1

- for cylinder mounting
- Suitable piston Ø 32 40 50, 63 mm
- for series RPC



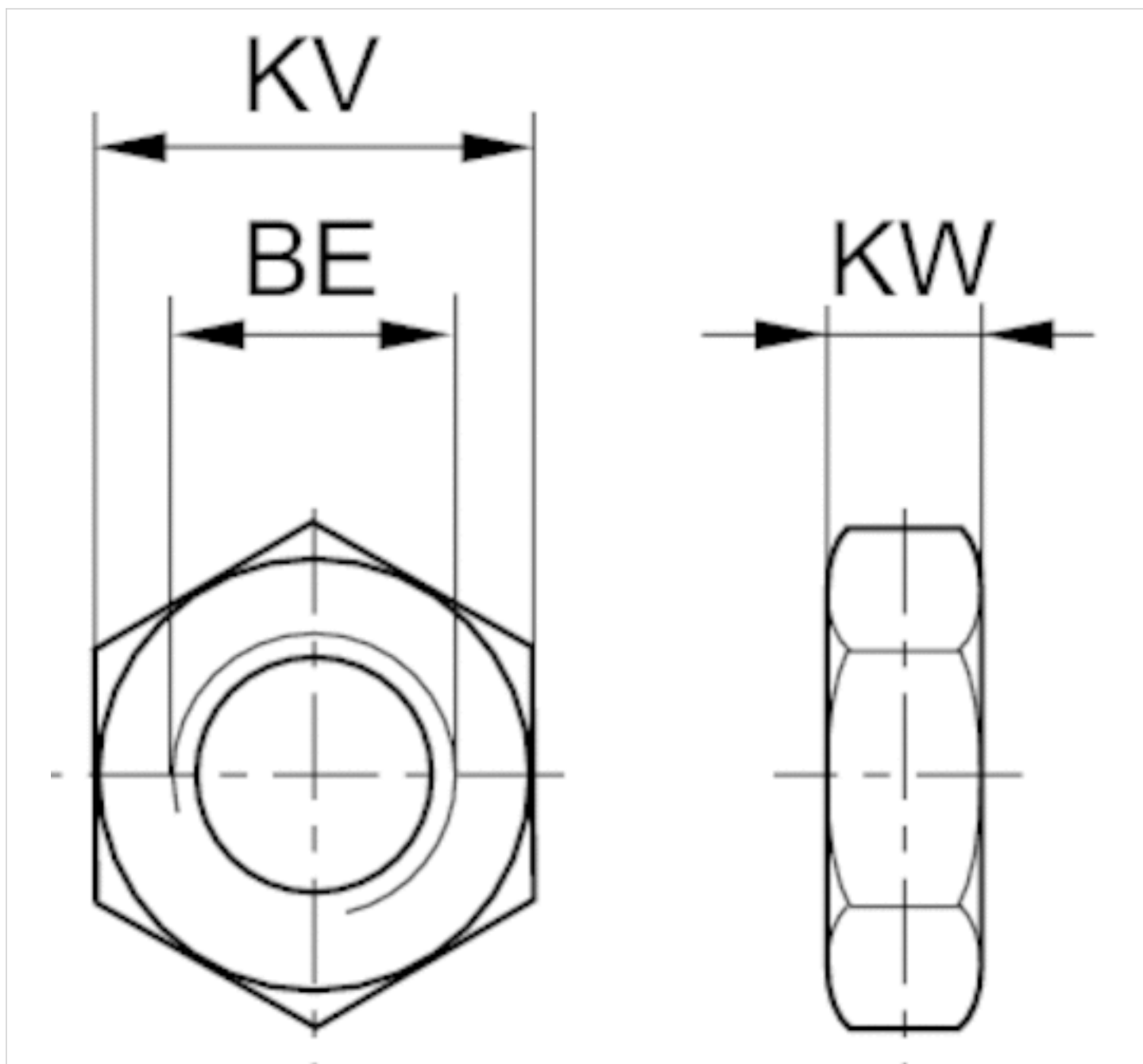
Technical data

Part No.	Piston Ø	Thread size
R412027809	32 mm	M30x1,5
R412027810	40 mm	M36x1.5
R412027811	40 mm	M38x1,5
R412027812	50, 63 mm	M45x1,5

Technical information

Material	
Material	Steel
	galvanized

Dimensions



Dimensions

Part No.	Piston Ø	For series	BE	KV	KW
R412027809	32 mm	RPC	M30x1,5	36	10
R412027810	40 mm	RPC	M36x1,5	46	10
R412027811	40 mm	RPC	M38x1,5	46	10
R412027812	50, 63 mm	RPC	M45x1,5	60	12

Trunnion mounting MP2, Series CM1

- Suitable piston Ø 32 40 50 63 mm

- for series RPC



Technical data

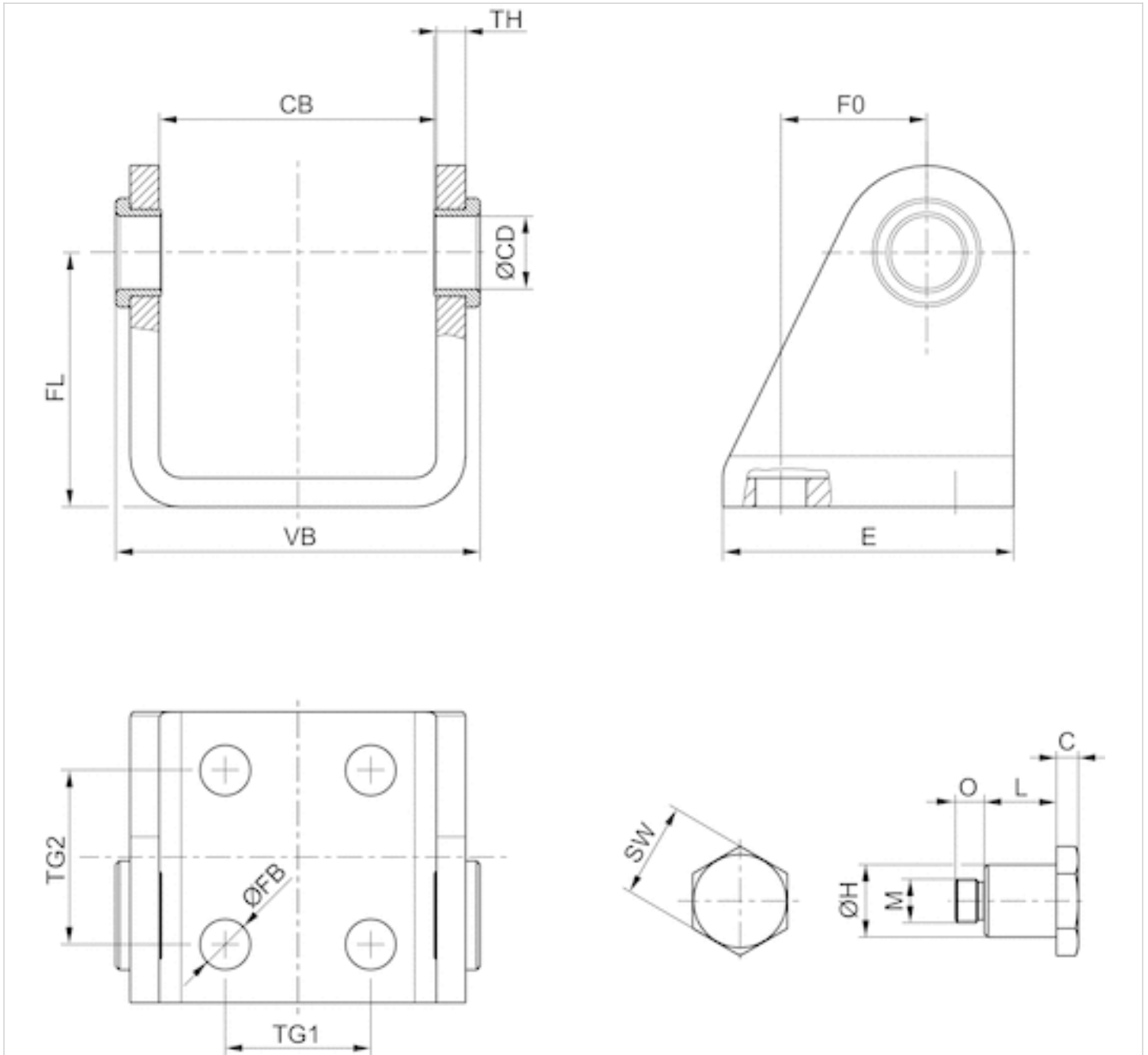
Part No.	Piston Ø
R412019988	32 mm
R412019989	40 mm
R412019990	50 mm
R412019991	63 mm

Scope of delivery: trunnion mounting incl. fitting screws

Technical information

Material	
Material	Steel galvanized

Dimensions



Dimensions

Part No.	Piston Ø	C	CB	Ø CD H9	E	Ø FB	FL	F0	Ø H e9	L	M	O	SW	TG1	TG2
R412019988	32 mm	3	38.1	10	40	7	35	20	10	9.9	M6x0,5	4	13	20	24
R412019989	40 mm	3	46.1	12	50	9	40	27	12	10.4	M6x0,5	4	17	28	30
R412019990	50 mm	4	57.1	14	54	9	45	30	14	12.9	M8x0,75	7	19	36	34
R412019991	63 mm	4	70.1	16	65	9	50	34	16	13.9	M8x0,75	7	19	42	35

TH	VB
4	50.1
5	60.1

TH	VB
6	74.1
6	87.1

Piston rod nut MR9



Weight

See table below

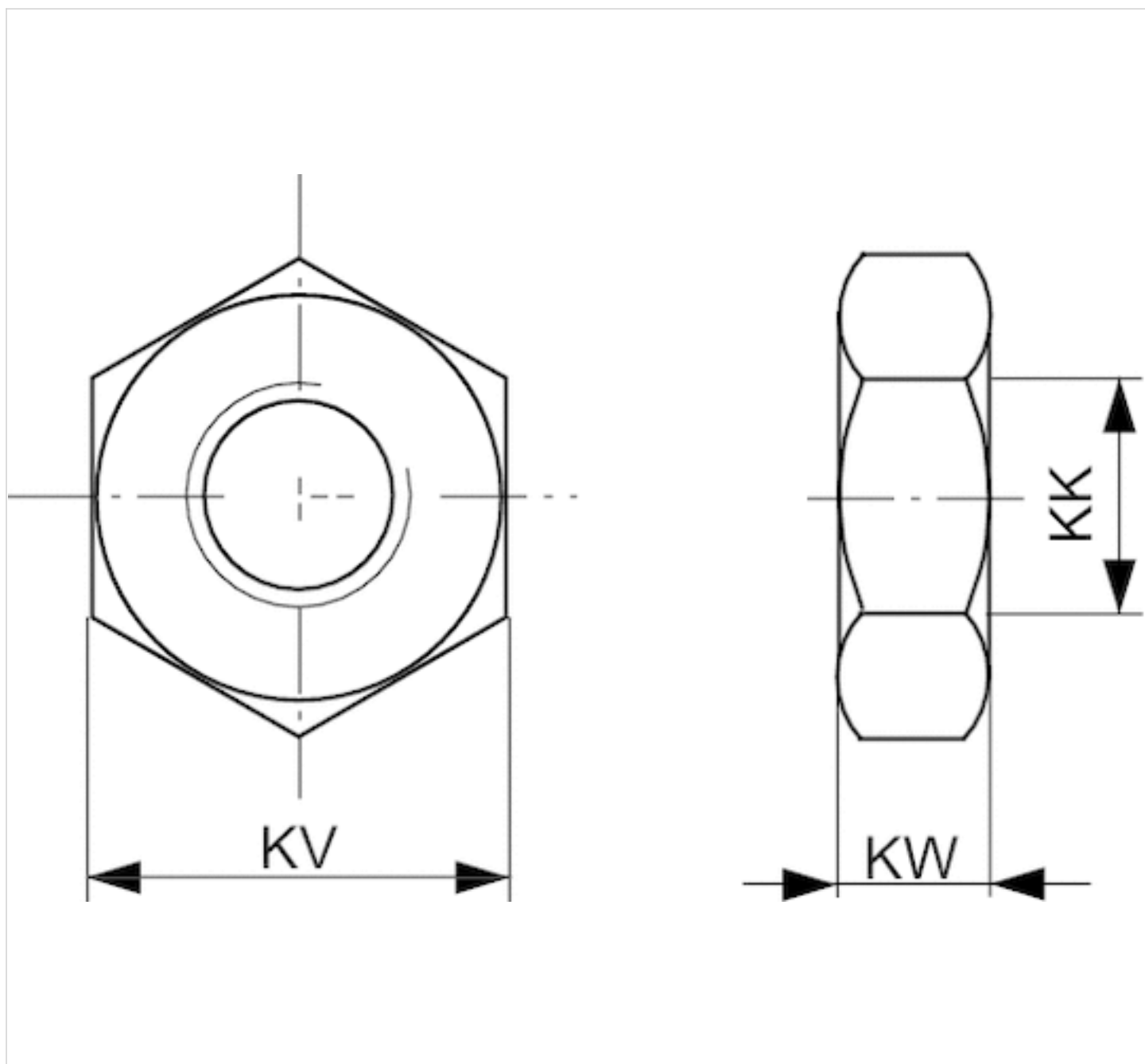
Technical data

Part No.	Suitable piston rod thread	Weight
8103040224	M10	0,011 kg
1823A00020	M10x1,25	0,01 kg
8103060064	M12	0,017 kg
1823A00021	M12x1,25	0,012 kg
1823300030	M16x1,5	0,017 kg

Technical information

Material	
	Steel
	galvanized

Dimensions



Dimensions

Part No.	KK	KV	KW
8103040224	M10	17	8
8103060064	M12	19	10
1823A00021	M12x1,25	19	6
1823300030	M16x1,5	24	8

Rod clevis AP2, Series CM2

- to mount on cylinder PRA, TRB, CCI, MNI, ICM, KPZ, KHZ, 167, CVI, RPC, RDC, ITS



Weight

See table below

Technical data

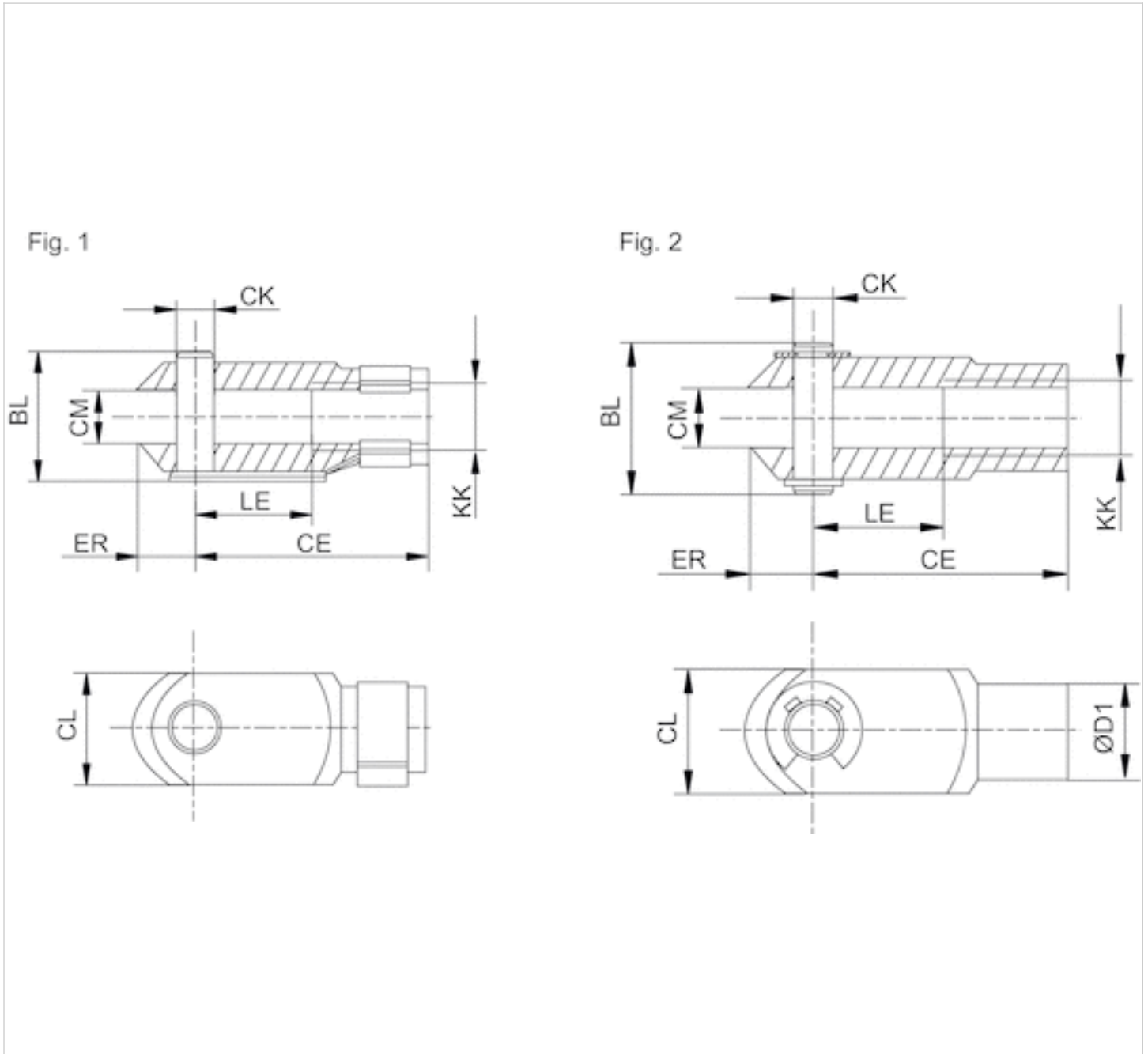
Part No.	Suitable piston rod thread	for	Weight
8958000122	M10	RPC KHZ	0,1 kg
8958000132	M12	RPC 102	0,16 kg
1822122024	M10x1,25	PRA TRB CCI MNI ICM KPZ 167 CVI RPC RDC	0,1 kg
1822122025	M12x1,25	PRA TRB CCI KPZ 167 CVI RPC 102	0,16 kg
1822122005	M16x1,5	PRA TRB CCI KPZ 167 CVI RPC RDC 102	0,4 kg

Part No.	Fig.
8958000122	Fig. 1
8958000132	Fig. 1
1822122024	Fig. 1
1822122025	Fig. 1
1822122005	Fig. 1

Technical information

Material	
	Steel
	galvanized

Dimensions



Dimensions

Part No.	KK	BL	CE	ØCK e11	CL	CM	ØD1	ER	LE	Fig.
8958000122	M10	26	40	10	20	10	18	12	20	Fig. 1
8958000132	M12	31	48	12	24	12	20	14	24	Fig. 1
1822122024	M10x1,25	26	40	10	20	10	18	12	20	Fig. 1
1822122025	M12x1,25	31	48	12	24	12	20	14	24	Fig. 1
1822122005	M16x1,5	39	64	16	32	16	26	19	32	Fig. 1

Ball eye rod end AP6, series CM2

- with flange, to mount on cylinder PRA, TRB, CCI, SSI, MNI, RPC, KPZ, 167, CVI, RDC, 102, ITS



Weight

See table below

Technical data

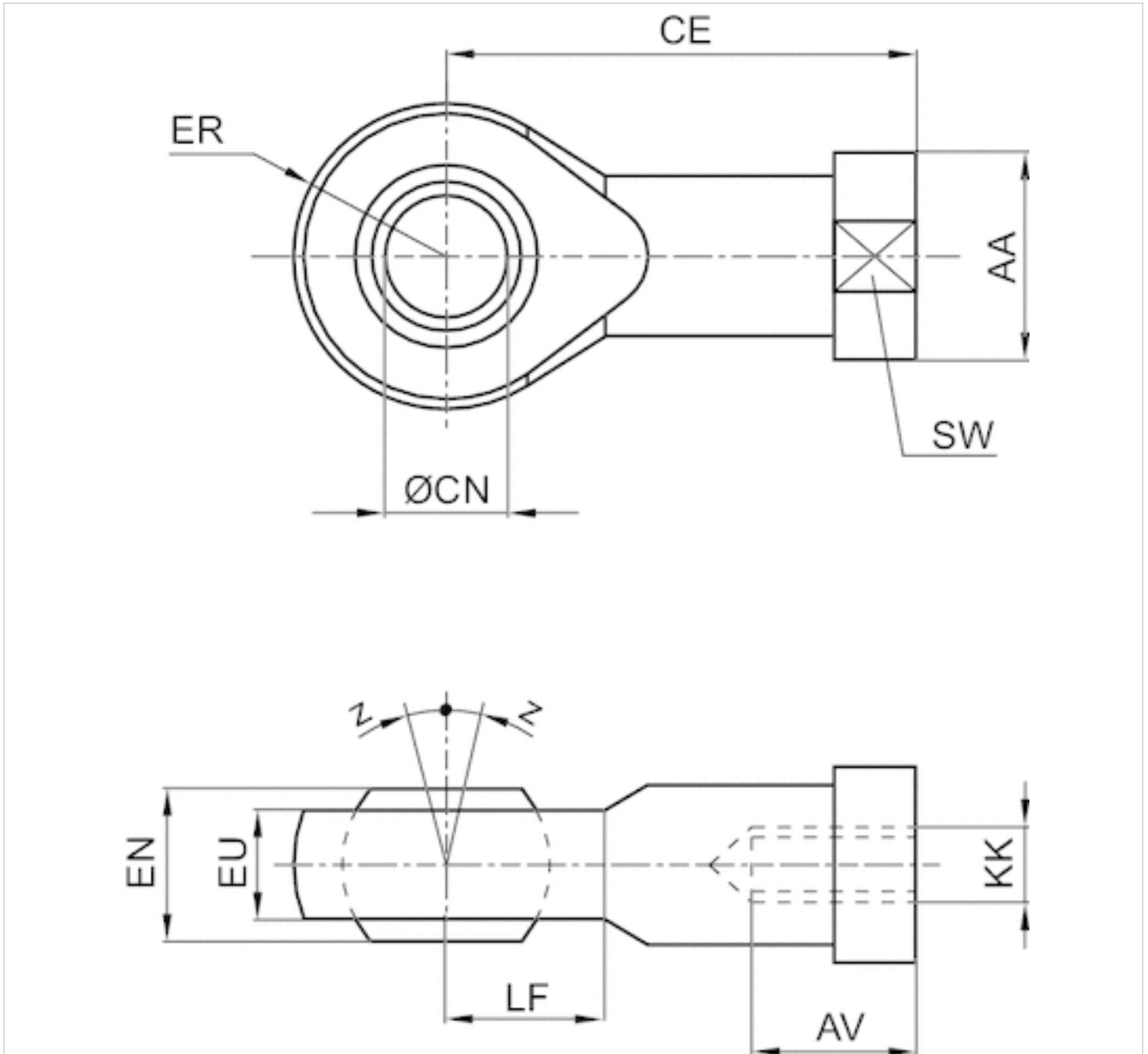
Part No.	Suitable piston rod thread	for	Swivel bearing Ø
8958206402	M10	RPC	10 mm
8958208852	M12	KHZ	12 mm
1822124003	M10x1,25	PRA TRB MNI CCI SSI RPC KPZ 167 CVI RDC	10 mm
1822124004	M12x1,25	PRA TRB CCI SSI RPC KPZ 167 CVI 102	12 mm
1822124005	M16x1,5	PRA TRB CCI SSI RPC KPZ 167 CVI RDC 102	16 mm

Part No.	Weight
8958206402	0,07 kg
8958208852	0,11 kg
1822124003	0,07 kg
1822124004	0,12 kg
1822124005	0,21 kg

Technical information

Material	
	Steel
	galvanized

Dimensions



Dimensions

Part No.	KK	AA	AV min.	CE	Ø CN H7	EN -0,1	ER	EU max.	LF	SW	Z [°] max.
8958206402	M10	19	20	43	10	14	14	10.5	13	17	6
8958208852	M12	22	22	50	12	16	16	12	16	19	13
1822124003	M10x1,25	19	15	43	10	14	14	11.5	14	17	4
1822124004	M12x1,25	22	18	50	12	16	16	12.5	16	19	4
1822124005	M16x1,5	27	24	64	16	21	21	15.5	21	22	4

Compensating coupling PM5, series CM2

- to mount on cylinder PRA, TRB, CCL-IS/-IC, CCI, SSI, MNI, KPZ, KHZ, 167, CVI, RPC, RDC, ITS, spherical



Weight

See table below

Technical data

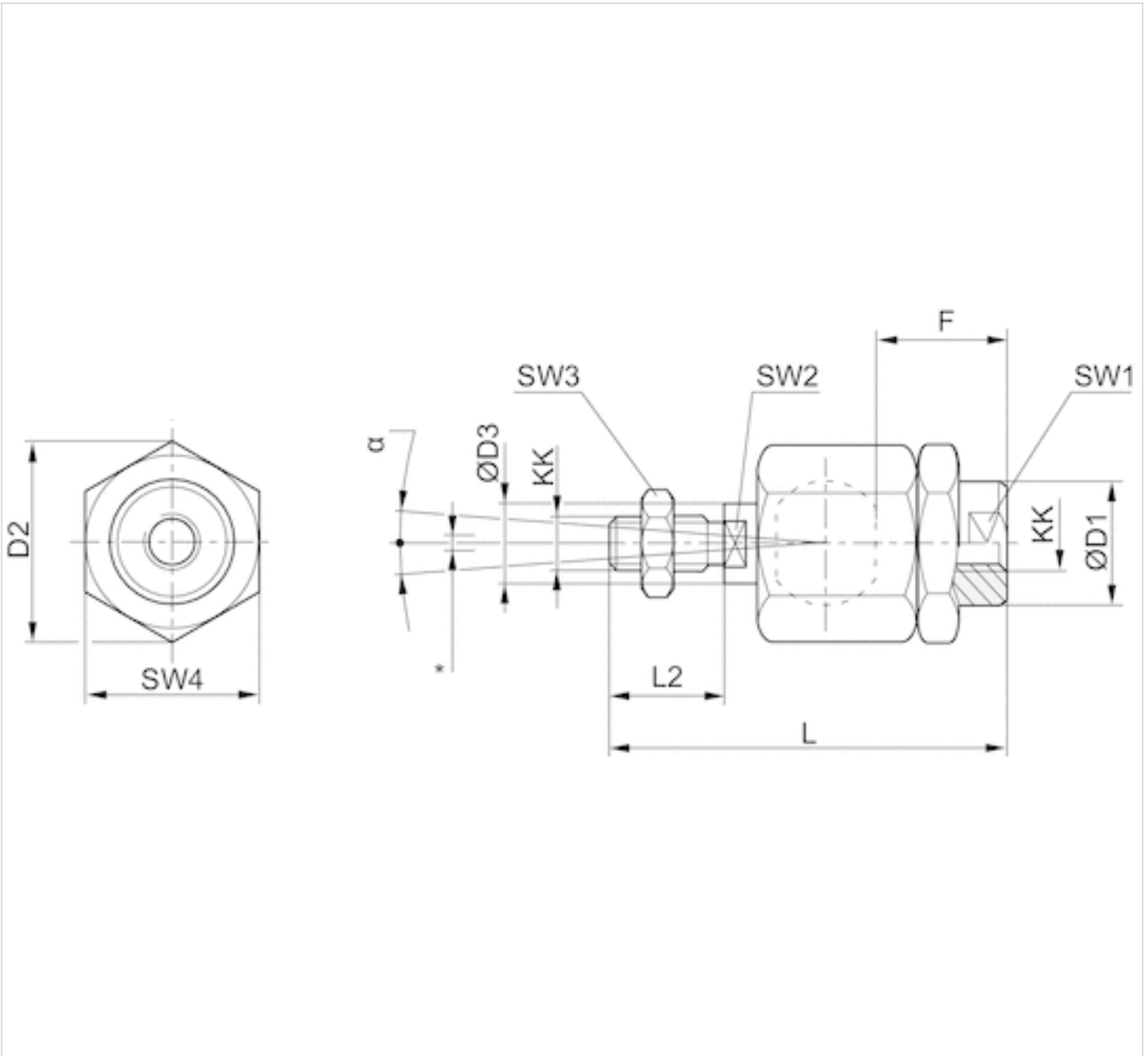
Part No.	Suitable piston rod thread	for
R412026142	M10x1,25	PRA TRB CCL-IS CCL-IC CCI SSI KPZ 167 CVI RPC
R412026143	M12x1,25	PRA TRB CCI CCL-IS CCL-IC SSI KPZ 167 CVI RPC
R412026144	M16x1,5	PRA TRB CCI CCL-IS CCL-IC KPZ 167 CVI RPC RDC

Part No.	Weight
R412026142	0,21 kg
R412026143	0,21 kg
R412026144	0,65 kg

Technical information

Material
Steel
galvanized

Dimensions



* Radial joint

Dimensions

Part No.	KK	Ø D1	D2	Ø D3	F	L ±2	L2	SW1	SW2	SW3	SW4	α [°]	1)	2)
R412026142	M10x1,25	22	32	14	23	74.5	23	19	12	17	30	8	0.05-0.5	0-2
R412026143	M12x1,25	22	32	14	24	75	24	19	12	19	30	7	0.05-0.5	0-2
R412026144	M16x1,5	32	45	22	30	103	30	30	20	24	41	6	0.05-0.5	0-2

1) Axial play

2) Radial play

Compensating coupling PM7, series CM2

- to mount on cylinder PRA, TRB, CCL-IS/-IC, CCI, SSI, KPZ, 167, CVI, RPC, ITS, with plate



Weight

See table below

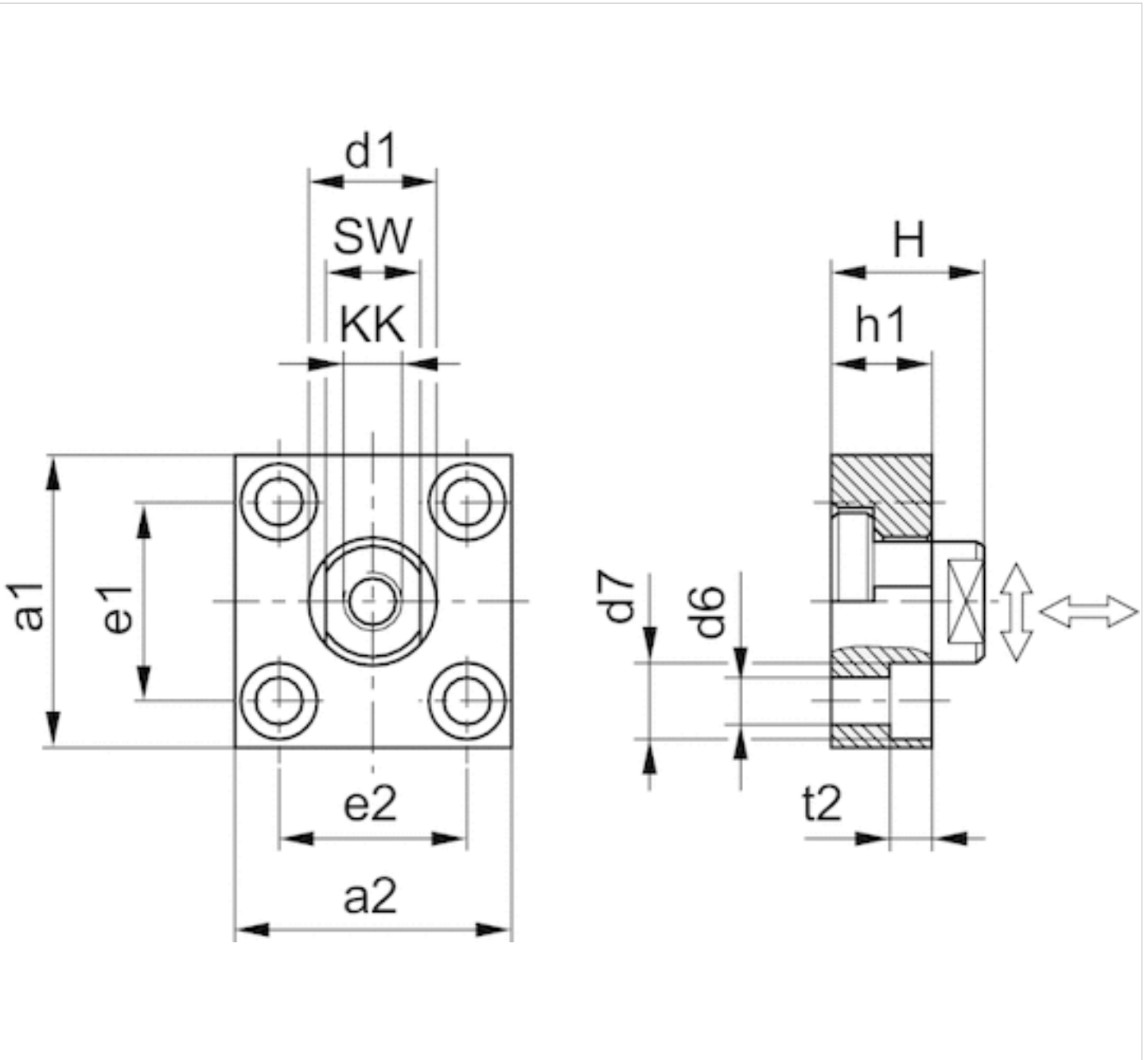
Technical data

Part No.	Suitable piston rod thread	for	Weight
1827001629	M10x1,25	PRA TRB CCL-IS CCL-IC CCI SSI KPZ RPC 167	0,3 kg
1827001630	M12x1,25	PRA TRB CCL-IS CCL-IC CCI SSI KPZ RPC 167	0,4 kg
1827001631	M16x1,5	PRA TRB CCL-IS CCL-IC CCI SSI KPZ RPC 167	0,9 kg

Technical information

Material	
	Steel
	galvanized

Dimensions



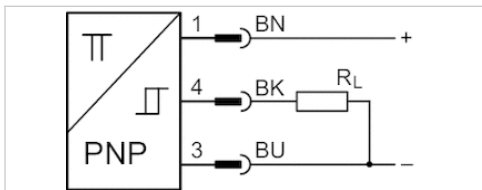
Dimensions

Part No.	a1	a2	d1 h11	d6 H13	d7 H13	e1 H13	e2	h1	t2	H	SW
1827001629	60	37	20	6.6	11	36 ±0,15	23 ±0,15	15	7	24	17
1827001630	60	56	25	9	15	42 ±0,2	38 ±0,2	20	9	30	19
1827001631	80	80	30	11	18	58 ±0,2	58 ±0,2	20	11	32	24

Tightening torque for the coupling pin $M_a \pm 5\%$	Axial play min./max.	Radial play min./max.
17 Nm	0,4 0,8 mm	1,9 2,3 mm
29 Nm	0,4 0,8 mm	1,9 2,3 mm
71 Nm	0,4 0,8 mm	1,9 2,3 mm

Sensor, Series ST6

- 6 mm T-slot
- with cable
- open cable ends, 3-pin
- ATEX
- UL certification, ATEX
- electronic PNP
- Direct mounting for series PRA, PRE, CCI, KPZ, SSI, GPC, CVI
- Indirect mounting for series TRB, ITS, CCL-IS, MNI, CSL-RD, RPC, ICS-D2, ICM, KHZ, TRR



Certificates	ATEX, CE declaration of conformity, cULus, RoHS
ATEX class G	II 3G Ex nA IIC T4 Gc X
ATEX class D	II 3D Ex tc IIIC T135°C Dc X
Ambient temperature min./max.	-20 ... 50 °C
Protection class	IP67
Switching point precision	±0,1 mT
Quiescent current (without load)	10 mA
Min./max. DC operating voltage	10 ... 30 V DC
Switching logic	NO (make contact)
LED status display	Yellow
Vibration resistance	10 - 55 Hz, 1 mm
Shock resistance	30 g / 11 ms
Cable length L	3 5 m

Technical data

Part No.	for	Type of contact	Cable length L
R412022854	PRA, PRE, CCI, KPZ, SSI, GPC, CVI	electronic PNP	3 m
R412022856	PRA, PRE, CCI, KPZ, SSI, GPC, CVI	electronic PNP	5 m

Part No.	Voltage drop U at I _{max}	DC switching current, max.
R412022854	≤ 2,5 V	0,1 A
R412022856	≤ 2,5 V	0,1 A

Part No.	Max. switching frequency
R412022854	1000 Hz
R412022856	1000 Hz

Part No.	Version
R412022854	short circuit resistant Protected against polarity reversal

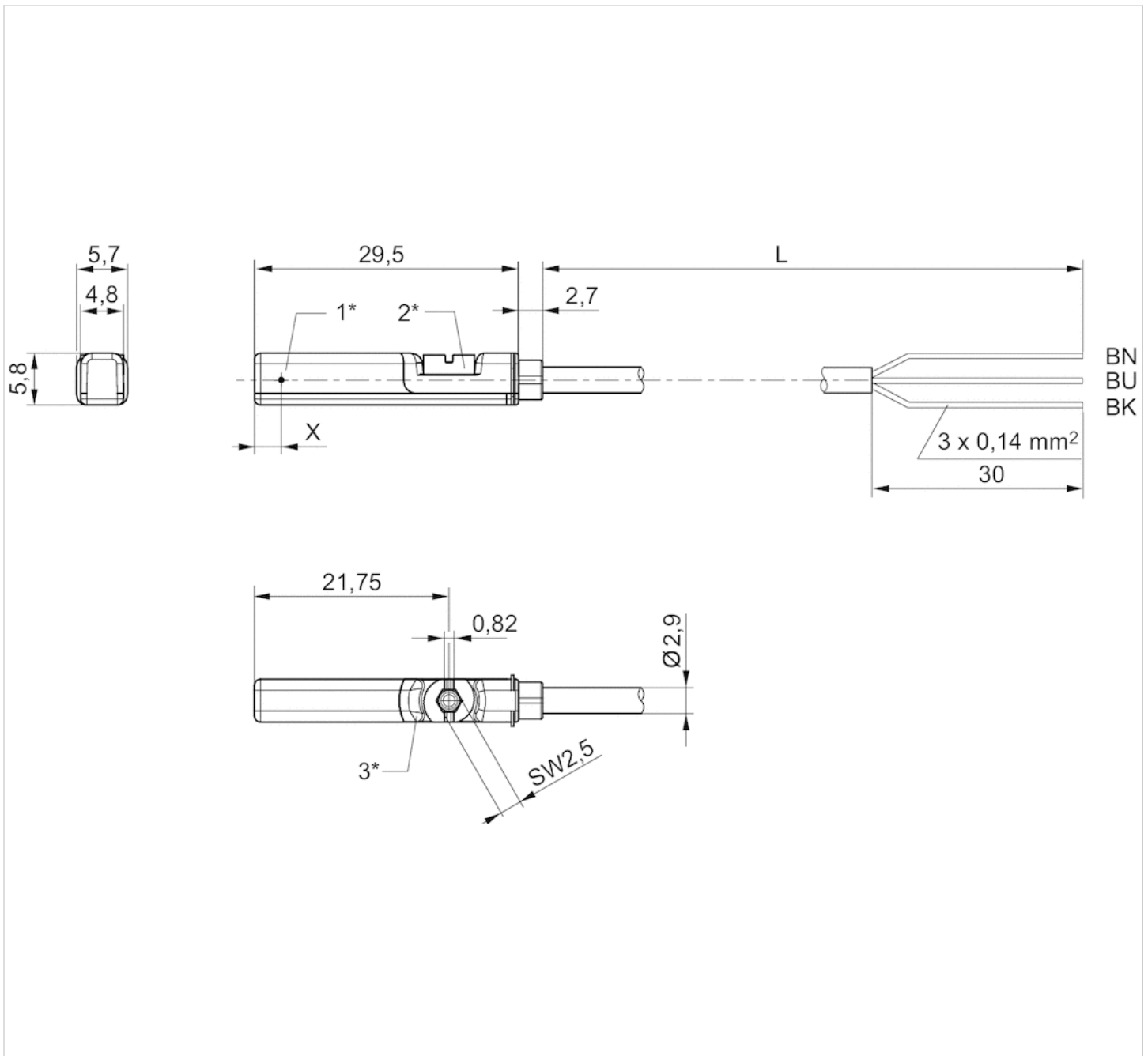
Part No.	Version
R412022856	short circuit resistant Protected against polarity reversal

Technical information

Material	
Housing	Polyamide
Cable sheath	Polyurethane
Locking screw	Stainless steel

Dimensions

Fig. 2



1* = switching point 2* = locking screw 3* = LED window, transparent

L = cable length

BN = brown, BK = black, BU = blue

X = electronic: 11.6 mm


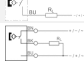





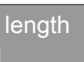

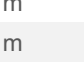
Sensor, Series ST6

- 6 mm T-slot
- with cable
- open cable ends, 2-pin open cable ends, 3-pin
- UL certification
- Reed electronic PNP electronic NPN
- Direct mounting for series PRA, PRE, CCI, KPZ, SSI, GPC, CVI
- Indirect mounting for series TRB, ITS, CCL-IS, MNI, CSL-RD, RPC, ICS-D2, ICM, KHZ, TRR



Ambient temperature min./max.	-30 ... 80 °C
Protection class	IP65, IP67, IP69K
Switching point precision	±0,1 mT
Nominal current, actuated state	30 mA
Quiescent current (without load)	8 mA
Min./max. DC operating voltage	See table below
Min./max. AC operating voltage	See table below
Hysteresis	≥ 0,2 mT
Switching logic	NO (make contact)
LED status display	Yellow
Vibration resistance	10 - 55 Hz, 1 mm
Shock resistance	30 g / 11 ms
Cable length L	3 5 10 m

Technical data

Part No.		for	Type of contact
R412022866		PRA, PRE, CCI, KPZ, SSI, GPC, CVI	Reed
R412027170		PRA, PRE, CCI, KPZ, SSI, GPC, CVI	Reed
R412022869		PRA, PRE, CCI, KPZ, SSI, GPC, CVI	Reed
R412022870		PRA, PRE, CCI, KPZ, SSI, GPC, CVI	Reed
R412022871		PRA, PRE, CCI, KPZ, SSI, GPC, CVI	Reed
R412022853		PRA, PRE, CCI, KPZ, SSI, GPC, CVI	electronic PNP
R412022855		PRA, PRE, CCI, KPZ, SSI, GPC, CVI	electronic PNP
R412022857		PRA, PRE, CCI, KPZ, SSI, GPC, CVI	electronic PNP
R412022849		PRA, PRE, CCI, KPZ, SSI, GPC, CVI	electronic NPN
R412022850		PRA, PRE, CCI, KPZ, SSI, GPC, CVI	electronic NPN

Part No.	Cable length L	Min./max. DC operating voltage	Min./max. AC operating voltage
R412022866	3 m	10 ... 230 V DC	10 ... 230 V AC
R412027170	5 m	10 ... 230 V DC	10 ... 230 V AC
R412022869	3 m	10 ... 30 V DC	10 ... 30 V AC
R412022870	5 m	10 ... 30 V DC	10 ... 30 V AC
R412022871	10 m	10 ... 30 V DC	10 ... 30 V AC
R412022853	3 m	10 ... 30 V DC	-
R412022855	5 m	10 ... 30 V DC	-
R412022857	10 m	10 ... 30 V DC	-
R412022849	3 m	10 ... 30 V DC	-
R412022850	5 m	10 ... 30 V DC	-

Part No.	Voltage drop U at I _{max}	DC switching current, max.
R412022866	≤ 3,5 V	0,13 A
R412027170	≤ 3,5 V	0,13 A
R412022869	I*Rs	0,3 A
R412022870	≤ 0,1 V	0,3 A
R412022871	I*Rs	0,3 A
R412022853	≤ 2,5 V	0,13 A
R412022855	≤ 2,5 V	0,13 A
R412022857	≤ 2,5 V	0,13 A
R412022849	≤ 2,5 V	0,13 A
R412022850	≤ 2,5 V	0,13 A

Part No.	AC switching current, max.	Switching capacity
R412022866	0,13 A	Reed, 2-pin: max. 10 W
R412027170	0,13 A	Reed, 2-pin: max. 10 W
R412022869	0,5 A	Reed, 3-pin: max. 6 W
R412022870	0,5 A	Reed, 3-pin: max. 6 W
R412022871	0,5 A	Reed, 3-pin: max. 6 W

Part No.	AC switching current, max.	Switching capacity
R412022853	-	-
R412022855	-	-
R412022857	-	-
R412022849	-	-
R412022850	-	-

Part No.	Max. switching frequency	Operating current, not switched
R412022866	400 Hz	-
R412027170	400 Hz	-
R412022869	400 Hz	-
R412022870	400 Hz	-
R412022871	400 Hz	-
R412022853	1000 Hz	8 mA
R412022855	1000 Hz	8 mA
R412022857	1000 Hz	8 mA
R412022849	1000 Hz	8 mA
R412022850	1000 Hz	8 mA

Part No.	Operating current, switched
R412022866	-
R412027170	-
R412022869	-
R412022870	-
R412022871	-
R412022853	30 mA
R412022855	30 mA
R412022857	30 mA
R412022849	30 mA
R412022850	30 mA

Part No.	Version	Fig.	
R412022866	Protected against polarity reversal	Fig. 1	1)
R412027170	Protected against polarity reversal	Fig. 1	1)
R412022869	Protected against polarity reversal	Fig. 2	2)
R412022870	Protected against polarity reversal	Fig. 2	2)
R412022871	Protected against polarity reversal	Fig. 2	2)
R412022853	short circuit resistant Protected against polarity reversal	Fig. 2	3)
R412022855	short circuit resistant Protected against polarity reversal	Fig. 2	3)
R412022857	short circuit resistant Protected against polarity reversal	Fig. 2	3)
R412022849	short circuit resistant Protected against polarity reversal	Fig. 2	3)
R412022850	short circuit resistant Protected against polarity reversal	Fig. 2	3)

1) open cable ends, 2-pin, The product of operating voltage and continuous current must not exceed the maximum switching capacity.

2) open cable ends, 3-pin, The product of operating voltage and continuous current must not exceed the maximum switching capacity.

3) open cable ends, 3-pin

Technical information

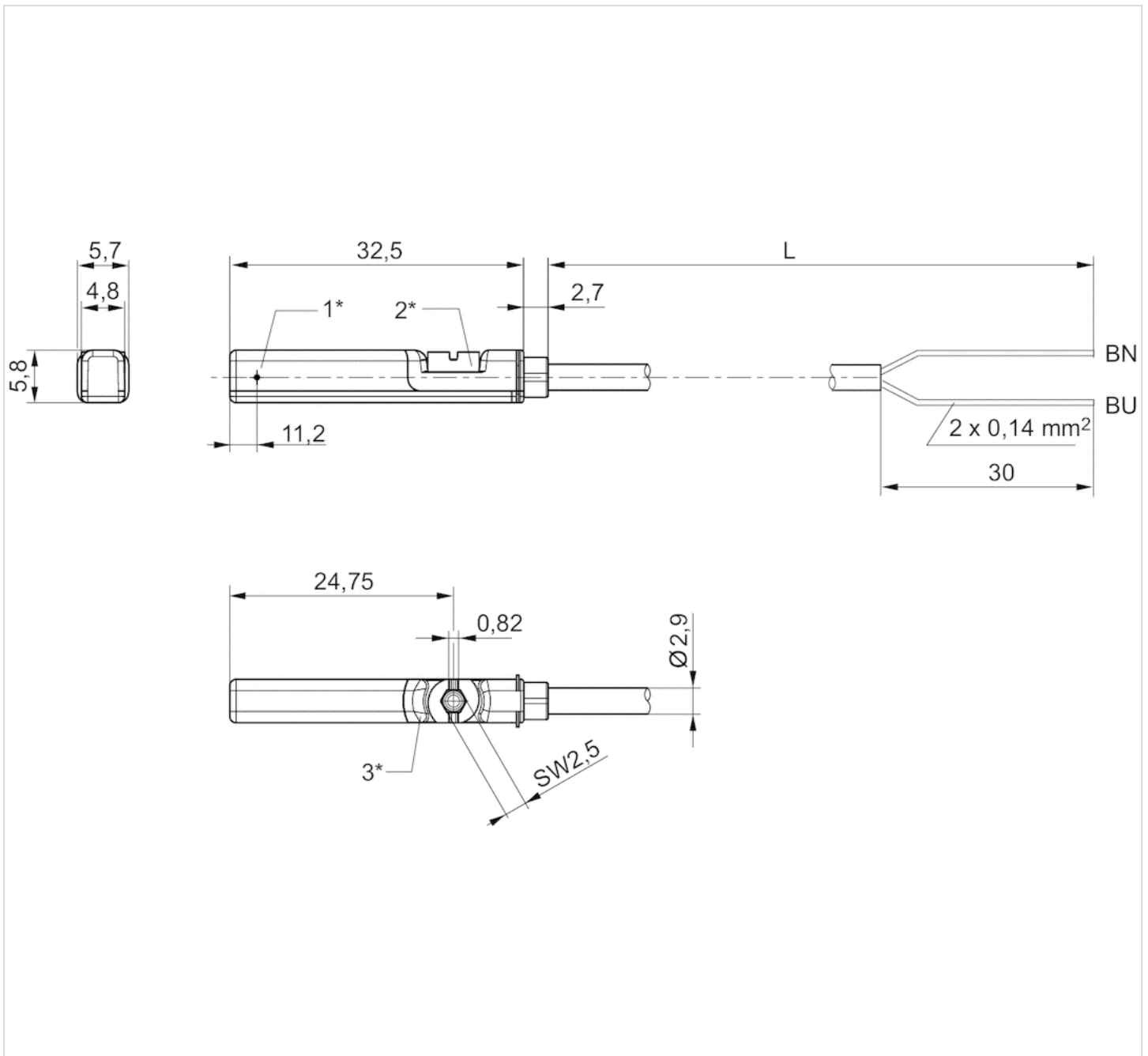
No cULus certification for 230 V variant.

Technical information

Material	
Housing	Polyamide
Cable sheath	Polyurethane
Locking screw	Stainless steel

Dimensions

Fig. 1

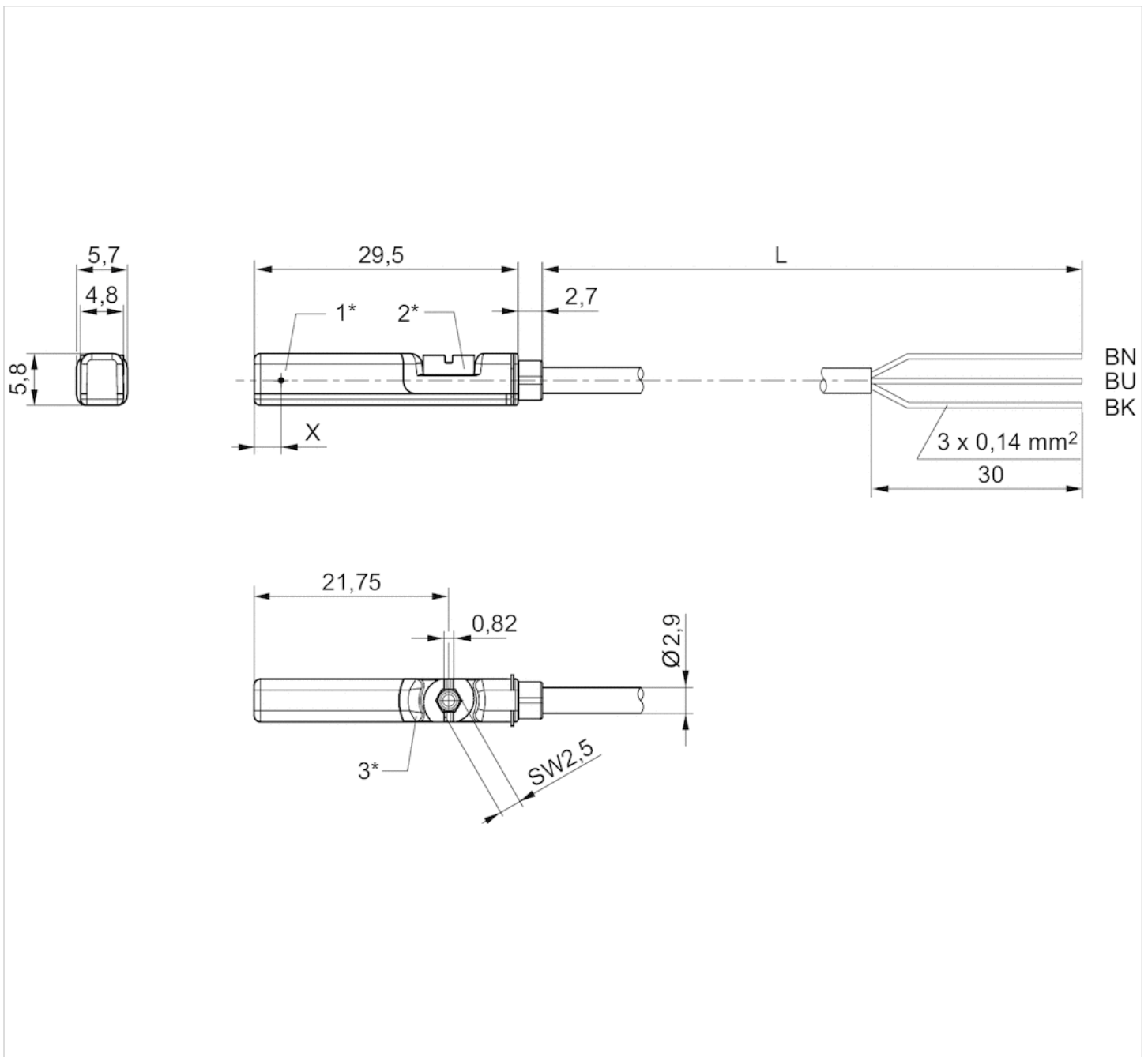


1* = switching point 2* = locking screw 3* = LED window, transparent

L = cable length

BN=brown, BU=blue

Fig. 2



1* = switching point 2* = locking screw 3* = LED window, transparent

L = cable length

BN = brown, BK = black, BU = blue

X = electronic: 11.6 mm



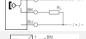


Sensor, Series ST6

- 6 mm T-slot
- with cable
- Plug, M8x1, 3-pin Plug, M8x1, 2-pin
- UL certification
- Reed electronic PNP electronic NPN
- Direct mounting for series PRA, PRE, CCI, KPZ, SSI, GPC, CVI
- Indirect mounting for series TRB, ITS, CCL-IS, MNI, CSL-RD, RPC, ICS-D2, ICM, KHZ, TRR



Certificates	CE declaration of conformity, cULus, RoHS
Ambient temperature min./max.	-30 ... 80 °C
Protection class	IP65, IP67
Switching point precision	±0,1 mT
Nominal current, actuated state	30 mA
Quiescent current (without load)	8 mA
Min./max. DC operating voltage	10 ... 30 V DC
Min./max. AC operating voltage	See table below
Hysteresis	≥ 0,2 mT
Switching logic	NO (make contact)
LED status display	Yellow
Vibration resistance	10 - 55 Hz, 1 mm
Shock resistance	30 g / 11 ms
Cable length L	0,3 m

Technical data

Part No.		for	Type of contact
R412022868		PRA, PRE, CCI, KPZ, SSI, GPC, CVI	Reed
R412027172		PRA, PRE, CCI, KPZ, SSI, GPC, CVI	Reed
R412022872		PRA, PRE, CCI, KPZ, SSI, GPC, CVI	Reed
R412022858		PRA, PRE, CCI, KPZ, SSI, GPC, CVI	electronic PNP
R412022851		PRA, PRE, CCI, KPZ, SSI, GPC, CVI	electronic NPN

Part No.	Cable length L	Min./max. AC operating voltage	Voltage drop U at I _{max}
R412022868	0,3 m	10 ... 30 V AC	≤ 3,5 V
R412027172	0,3 m	10 ... 30 V AC	≤ 3,5 V
R412022872	0,3 m	10 ... 30 V AC	≤ 0,1 V
R412022858	0,3 m	-	≤ 2,5 V
R412022851	0,3 m	-	≤ 2,5 V

Part No.	DC switching current, max.	AC switching current, max.
R412022868	0,13 A	0,13 A
R412027172	0,13 A	0,13 A
R412022872	0,3 A	0,5 A
R412022858	0,13 A	-

Part No.	DC switching current, max.	AC switching current, max.
R412022851	0,13 A	-

Part No.	Switching capacity	Max. switching frequency
R412022868	Reed, 2-pin: max. 10 W	400 Hz
R412027172	Reed, 2-pin: max. 10 W	400 Hz
R412022872	Reed, 3-pin: max. 6 W	400 Hz
R412022858	-	1000 Hz
R412022851	-	1000 Hz

Part No.	Operating current, not switched	Operating current, switched
R412022868	-	-
R412027172	-	-
R412022872	-	-
R412022858	8 mA	30 mA
R412022851	8 mA	30 mA

Part No.	Version	
R412022868	Protected against polarity reversal	1)
R412027172	Protected against polarity reversal	1)
R412022872	Protected against polarity reversal	1)
R412022858	short circuit resistant Protected against polarity reversal	-
R412022851	short circuit resistant Protected against polarity reversal	-

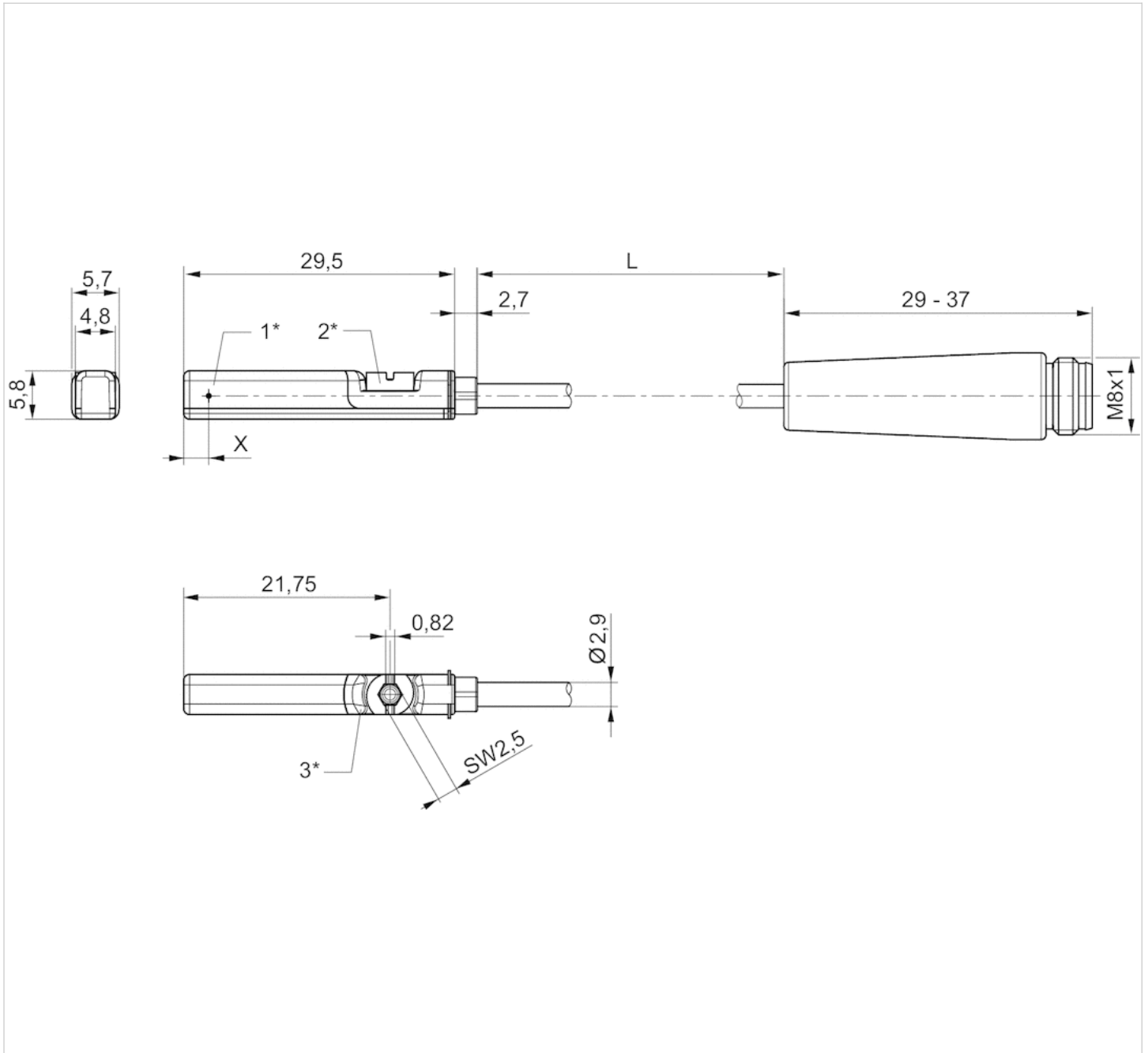
1) The product of operating voltage and continuous current must not exceed the maximum switching capacity.

Technical information

Material	
Housing	Polyamide
Cable sheath	Polyurethane
Locking screw	Stainless steel

Dimensions

Dimensions



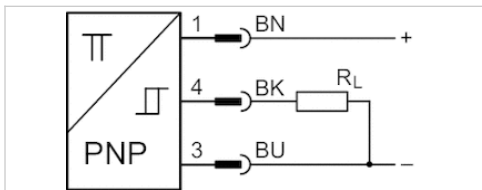
1* = switching point 2* = locking screw 3* = LED window, transparent

L = cable length

X = electronic: 11,6 mm, Reed: 8,3 mm

Sensor, Series ST6

- 6 mm T-slot
- with cable
- Plug, M12x1, 3-pin, with knurled screw
- ATEX
- UL certification, ATEX
- electronic PNP
- Direct mounting for series PRA, PRE, CCI, KPZ, SSI, GPC, CVI
- Indirect mounting for series TRB, ITS, CCL-IS, MNI, CSL-RD, RPC, ICS-D2, ICM, KHZ, TRR



Certificates

ATEX class G	ATEX, CE declaration of conformity, cULus, RoHS
ATEX class D	II 3G Ex nA IIC T4 Gc X
Ambient temperature min./max.	II 3D Ex tc IIIC T135°C Dc X
Protection class	-20 ... 50 °C
Switching point precision	IP67
Quiescent current (without load)	±0,1 mT
Min./max. DC operating voltage	10 mA
Switching logic	10 ... 30 V DC
LED status display	NO (make contact)
Vibration resistance	Yellow, Yellow
Shock resistance	10 - 55 Hz, 1 mm
Cable length L	30 g / 11 ms
	0,3 m

Technical data

Part No.	for	Type of contact	Cable length L
R412022864	PRA, PRE, CCI, KPZ, SSI, GPC, CVI	electronic PNP	0,3 m

Part No.	Voltage drop U at I _{max}	DC switching current, max.
R412022864	≤ 2,5 V	0,1 A

Part No.	Max. switching frequency
R412022864	1000 Hz

Part No.	Version
R412022864	short circuit resistant Protected against polarity reversal

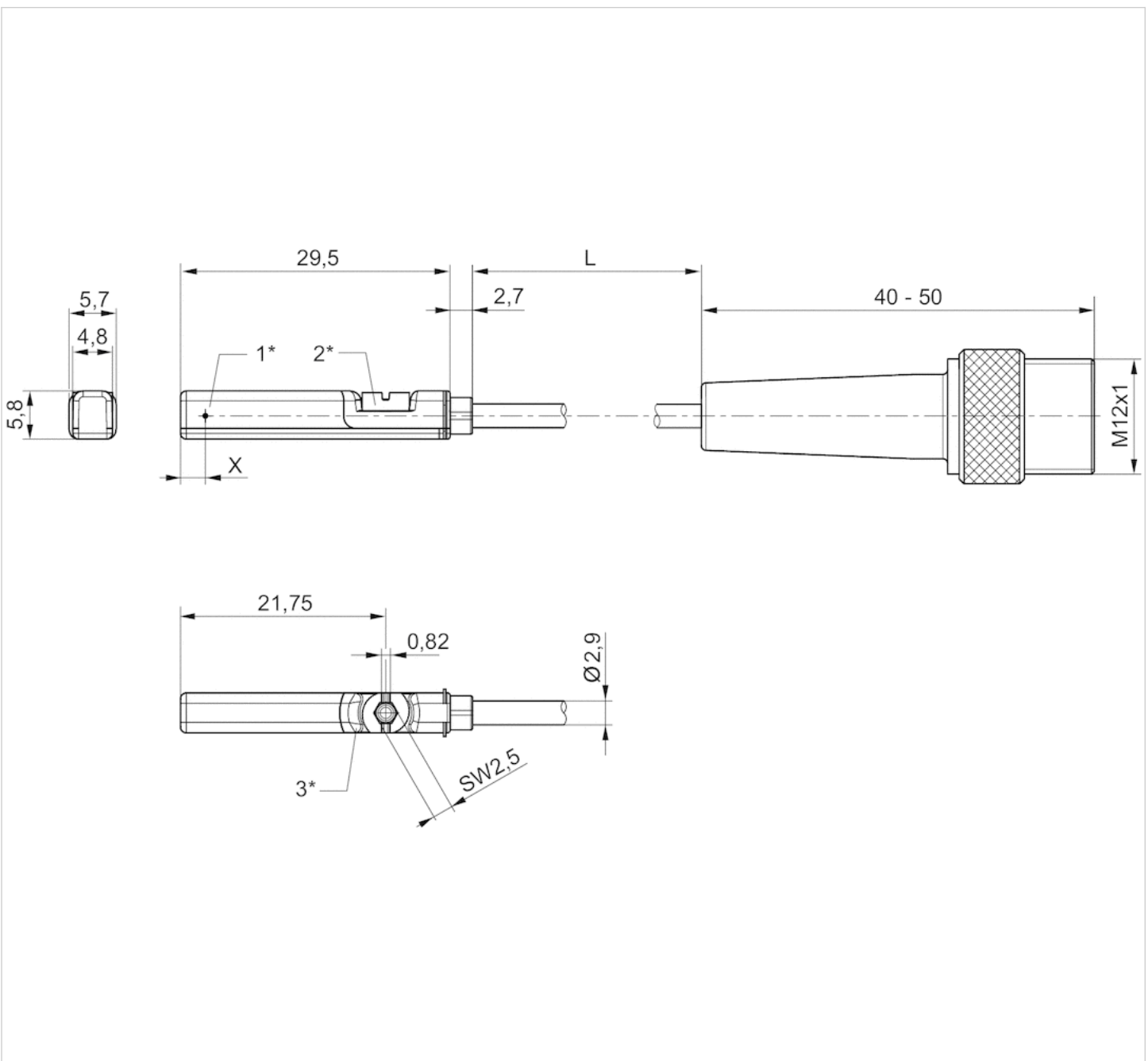
Technical information

Material

Housing	Polyamide
Cable sheath	Polyurethane
Locking screw	Stainless steel

Dimensions

Dimensions



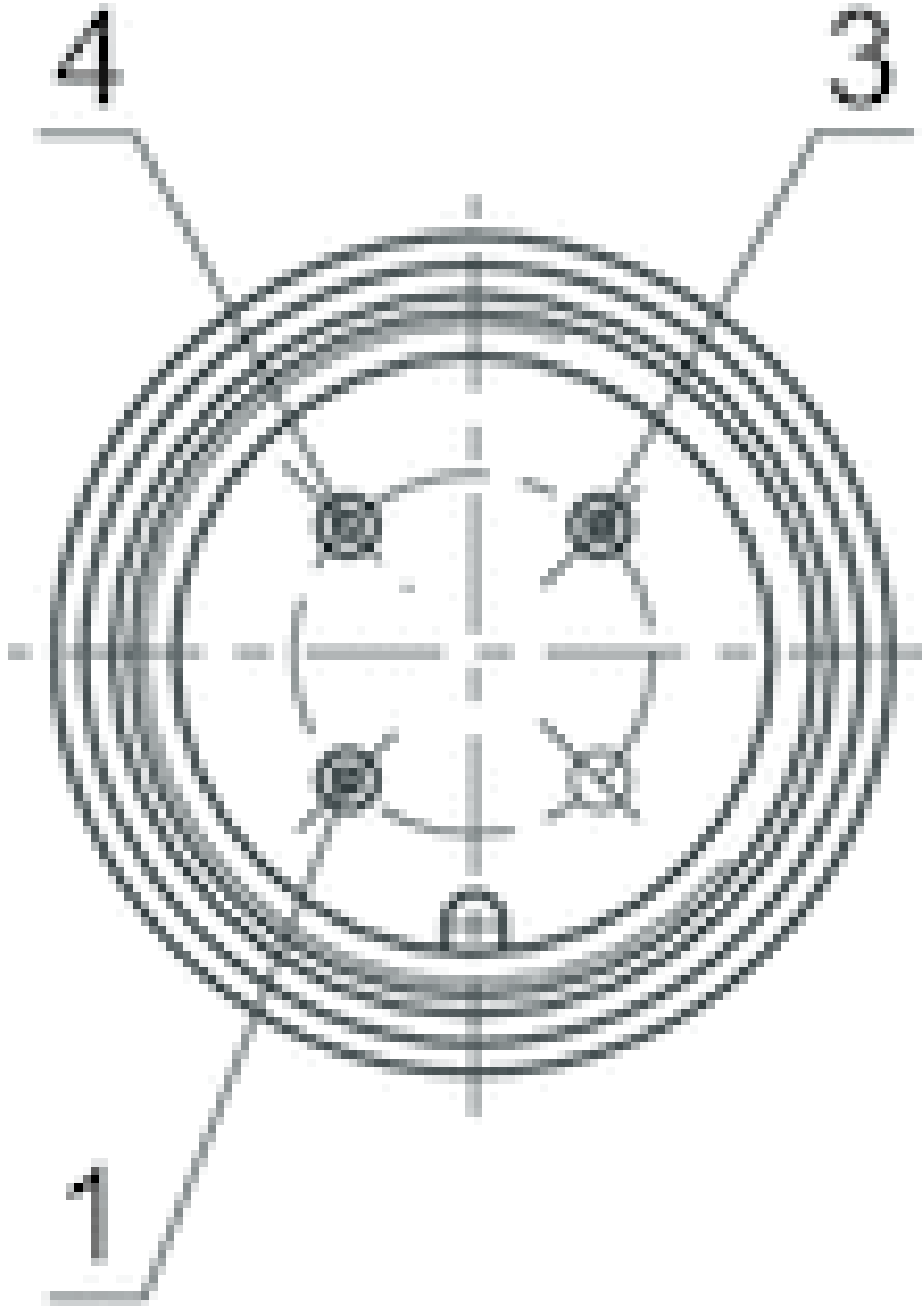
1* = switching point 2* = locking screw 3* = LED window, transparent

L = cable length

X = PNP: 11,6 mm, reed: 8,3 mm

Pin assignments

Pin assignments



Pin	1	3	4
Allocation	(+)	(-)	(OUT)



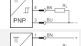
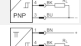
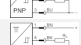

Sensor, Series ST6

- 6 mm T-slot
- with cable
- Plug, M12x1, 2-pin, with knurled screw Plug, M12x1, 4-pin, with knurled screw
- UL certification
- Reed electronic PNP
- Direct mounting for series PRA, PRE, CCI, KPZ, SSI, GPC, CVI
- Indirect mounting for series TRB, ITS, CCL-IS, MNI, CSL-RD, RPC, ICS-D2, ICM, KHZ, TRR



Certificates	CE declaration of conformity, cULus, RoHS
Ambient temperature min./max.	-30 ... 80 °C
Protection class	See table below
Switching point precision	±0,1 mT
Nominal current, actuated state	30 mA
Quiescent current (without load)	8 mA
Min./max. DC operating voltage	10 ... 30 V DC
Min./max. AC operating voltage	See table below
Hysteresis	≥ 0,2 mT
Switching logic	NO (make contact)
LED status display	Yellow
Vibration resistance	10 - 55 Hz, 1 mm
Shock resistance	30 g / 11 ms
Cable length L	0,3 0,1 3 5 m

Technical data

Part No.		for	Type of contact
R412027171		PRA, PRE, CCI, KPZ, SSI, GPC, CVI	Reed
R412022876		PRA, PRE, CCI, KPZ, SSI, GPC, CVI	Reed
R412022879		PRA, PRE, CCI, KPZ, SSI, GPC, CVI	electronic PNP
R412022863		PRA, PRE, CCI, KPZ, SSI, GPC, CVI	electronic PNP
R412022877		PRA, PRE, CCI, KPZ, SSI, GPC, CVI	electronic PNP
R412022878		PRA, PRE, CCI, KPZ, SSI, GPC, CVI	electronic PNP

Part No.	Cable length L	Min./max. AC operating voltage	Voltage drop U at I _{max}
R412027171	0,3 m	10 ... 30 V AC	≤ 3,5 V
R412022876	0,3 m	10 ... 30 V AC	≤ 0,1 V
R412022879	0,1 m	-	≤ 2,5 V
R412022863	0,3 m	-	≤ 2,5 V
R412022877	3 m	-	≤ 2,5 V
R412022878	5 m	-	≤ 2,5 V

Part No.	DC switching current, max.	AC switching current, max.
R412027171	0,13 A	0,13 A
R412022876	0,3 A	0,5 A

Part No.	DC switching current, max.	AC switching current, max.
R412022879	0,13 A	-
R412022863	0,13 A	-
R412022877	0,13 A	-
R412022878	0,13 A	-

Part No.	Switching capacity	Max. switching frequency
R412027171	Reed, 2-pin: max. 10 W	400 Hz
R412022876	Reed, 3-pin: max. 6 W	400 Hz
R412022879	-	1000 Hz
R412022863	-	1000 Hz
R412022877	-	1000 Hz
R412022878	-	1000 Hz

Part No.	Operating current, not switched	Operating current, switched	Protection class
R412027171	-	-	IP65, IP67
R412022876	-	-	IP65, IP67
R412022879	8 mA	30 mA	IP65, IP67
R412022863	8 mA	30 mA	IP65, IP67, IP69K
R412022877	8 mA	30 mA	IP65, IP67
R412022878	8 mA	30 mA	IP65, IP67

Part No.	Version	
R412027171	Protected against polarity reversal	1)
R412022876	Protected against polarity reversal	1)
R412022879	short circuit resistant Protected against polarity reversal	-
R412022863	short circuit resistant Protected against polarity reversal	-
R412022877	short circuit resistant Protected against polarity reversal	-
R412022878	short circuit resistant Protected against polarity reversal	-

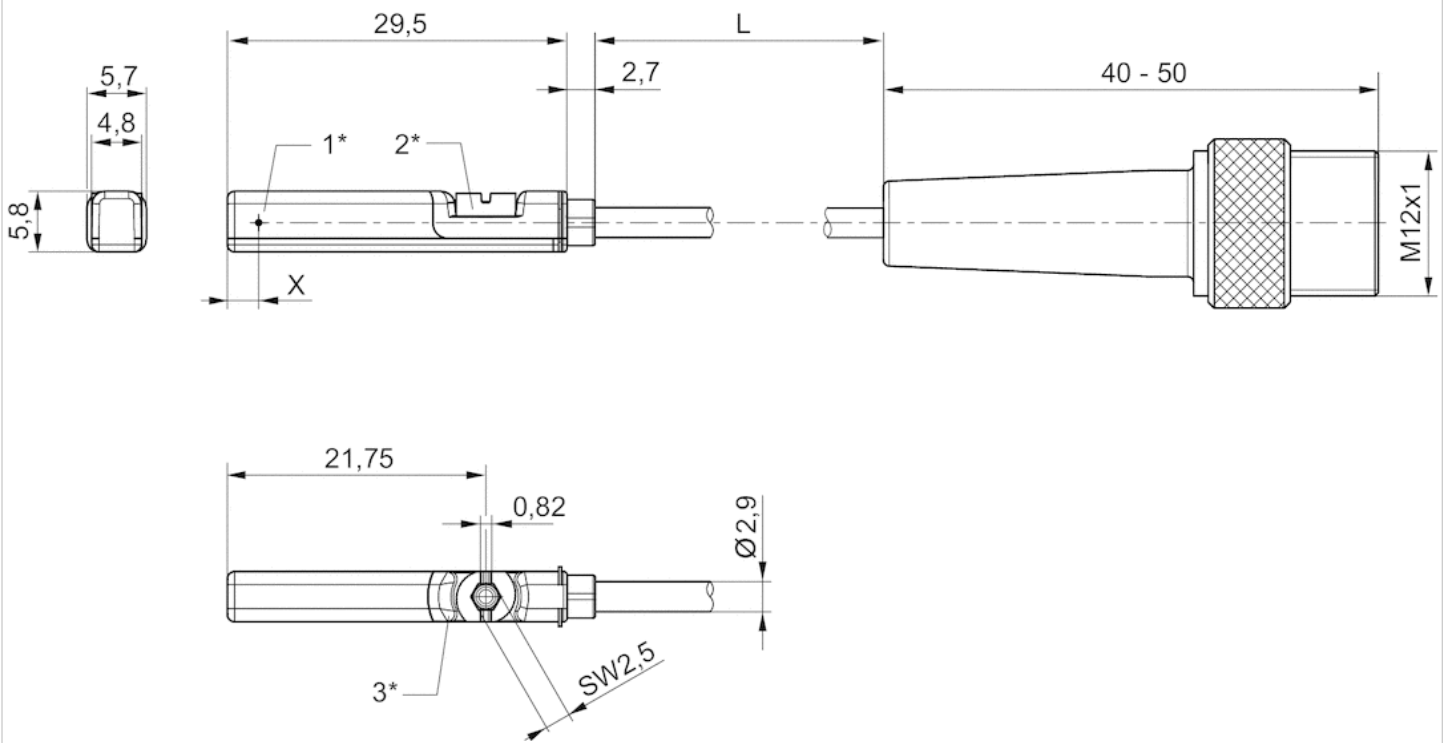
1) The product of operating voltage and continuous current must not exceed the maximum switching capacity.

Technical information

Material	
Housing	Polyamide
Cable sheath	Polyurethane
Locking screw	Stainless steel

Dimensions

Dimensions



1* = switching point 2* = locking screw 3* = LED window, transparent

L = cable length

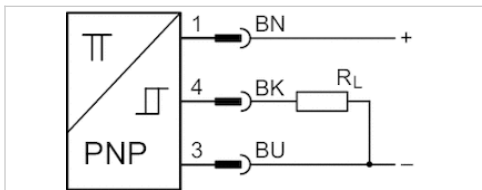
X = PNP: 11,6 mm, reed: 8,3 mm

Sensor, Series ST6

- 6 mm T-slot
- with cable
- Plug, M8x1, 3-pin, with knurled screw
- ATEX
- UL certification, ATEX
- electronic PNP
- Direct mounting for series PRA, PRE, CCI, KPZ, SSI, GPC, CVI
- Indirect mounting for series TRB, ITS, CCL-IS, MNI, CSL-RD, RPC, ICS-D2, ICM, KHZ, TRR



Certificates	ATEX, CE declaration of conformity, cULus, RoHS
ATEX class G	II 3G Ex nA IIC T4 Gc X
ATEX class D	II 3D Ex tc IIIC T135°C Dc X
Ambient temperature min./max.	-20 ... 50 °C
Protection class	IP65, IP67
Switching point precision	±0,1 mT
Quiescent current (without load)	10 mA
Min./max. DC operating voltage	10 ... 30 V DC
Switching logic	NO (make contact)
LED status display	Yellow, Yellow
Vibration resistance	10 - 55 Hz, 1 mm
Shock resistance	30 g / 11 ms
Cable length L	0,3 m



Technical data

Part No.	for	Type of contact	Cable length L
R412022860	PRA, PRE, CCI, KPZ, SSI, GPC, CVI	electronic PNP	0,3 m

Part No.	Voltage drop U at I _{max}	DC switching current, max.
R412022860	≤ 2,5 V	0,1 A

Part No.	Max. switching frequency
R412022860	1000 Hz

Part No.	Version
R412022860	short circuit resistant Protected against polarity reversal

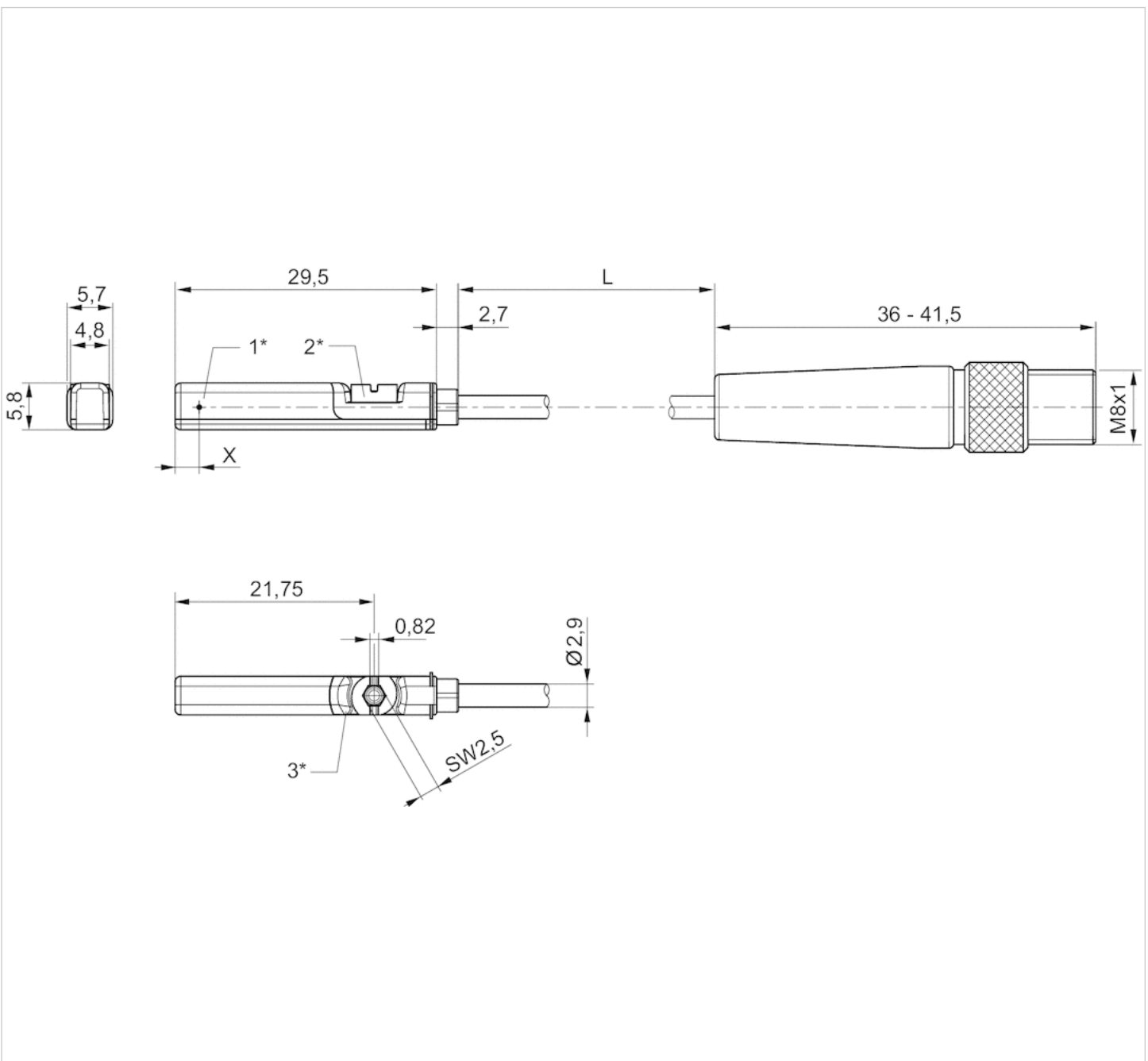
Technical information

Material

Housing	Polyamide
Cable sheath	Polyurethane
Locking screw	Stainless steel

Dimensions

Dimensions



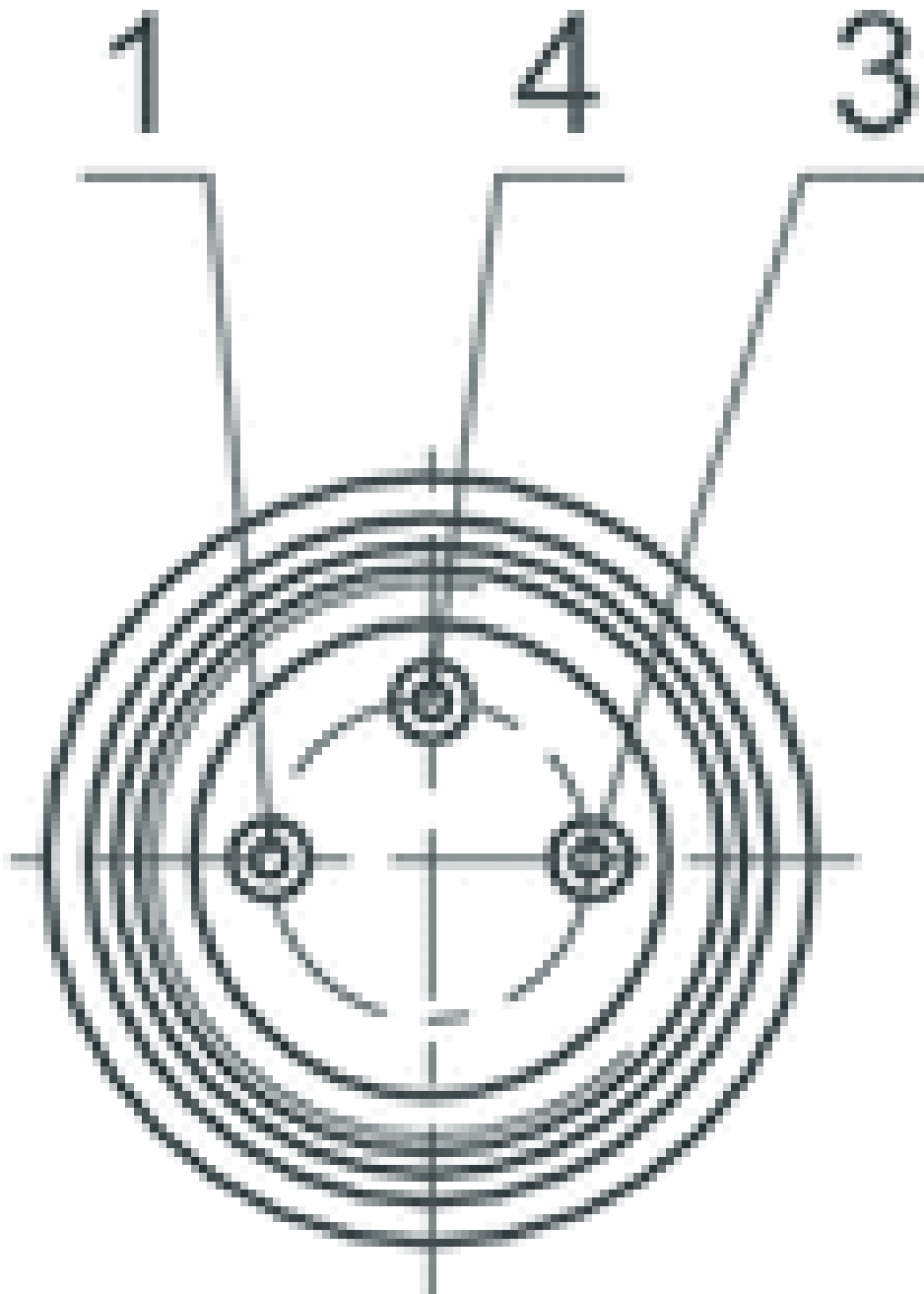
1* = switching point 2* = locking screw 3* = LED window, transparent

L = cable length

X = electronic: 11,6 mm, Reed: 8,3 mm

Pin assignments

Pin assignments



Pin	1	3	4
Allocation	(+)	(-)	(OUT)




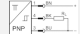
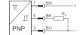
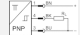
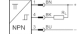
Sensor, Series ST6

- 6 mm T-slot
- with cable
- Plug, M8x1, 3-pin, with knurled screw
- UL certification
- Reed electronic PNP electronic NPN
- Direct mounting for series PRA, PRE, CCI, KPZ, SSI, GPC, CVI
- Indirect mounting for series TRB, ITS, CCL-IS, MNI, CSL-RD, RPC, ICS-D2, ICM, KHZ, TRR



Certificates	CE declaration of conformity, cULus, RoHS
Ambient temperature min./max.	-30 ... 80 °C
Protection class	IP65, IP67
Switching point precision	±0,1 mT
Nominal current, actuated state	30 mA
Quiescent current (without load)	8 mA
Min./max. DC operating voltage	10 ... 30 V DC
Min./max. AC operating voltage	See table below
Hysteresis	≥ 0,2 mT
Switching logic	NO (make contact)
Switching capacity	Reed, 3-pin: max. 6 W
LED status display	Yellow
Vibration resistance	10 - 55 Hz, 1 mm
Shock resistance	30 g / 11 ms
Cable length L	0,3 0,5 m

Technical data

Part No.		for	Type of contact
R412022873		PRA, PRE, CCI, KPZ, SSI, GPC, CVI	Reed
R412022875		PRA, PRE, CCI, KPZ, SSI, GPC, CVI	Reed
R412022874		PRA, PRE, CCI, KPZ, SSI, GPC, CVI	Reed
R412022859		PRA, PRE, CCI, KPZ, SSI, GPC, CVI	electronic PNP
R412022862		PRA, PRE, CCI, KPZ, SSI, GPC, CVI	electronic PNP
R412022861		PRA, PRE, CCI, KPZ, SSI, GPC, CVI	electronic PNP
R412022852		PRA, PRE, CCI, KPZ, SSI, GPC, CVI	electronic NPN

Part No.	Cable sheath	Cable length L	Min./max. AC operating voltage
R412022873	Polyurethane	0,3 m	10 ... 30 V AC
R412022875	Polyvinyl chloride	0,3 m	10 ... 30 V AC
R412022874	Polyurethane	0,5 m	10 ... 30 V AC
R412022859	Polyurethane	0,3 m	-
R412022862	Polyvinyl chloride	0,3 m	-
R412022861	Polyurethane	0,5 m	-
R412022852	Polyurethane	0,3 m	-

Part No.	Voltage drop U at I _{max}	DC switching current, max.
R412022873	I*Rs	0,3 A
R412022875	I*Rs	0,3 A
R412022874	I*Rs	0,3 A
R412022859	≤ 2,5 V	0,13 A
R412022862	≤ 2,5 V	0,13 A
R412022861	≤ 2,5 V	0,13 A
R412022852	≤ 2,5 V	0,13 A

Part No.	AC switching current, max.	Max. switching frequency
R412022873	0,5 A	400 Hz
R412022875	0,5 A	400 Hz
R412022874	0,5 A	400 Hz
R412022859	-	1000 Hz
R412022862	-	1000 Hz
R412022861	-	1000 Hz
R412022852	-	1000 Hz

Part No.	Operating current, not switched	Operating current, switched
R412022873	-	-
R412022875	-	-
R412022874	-	-
R412022859	8 mA	30 mA
R412022862	8 mA	30 mA
R412022861	8 mA	30 mA
R412022852	8 mA	30 mA

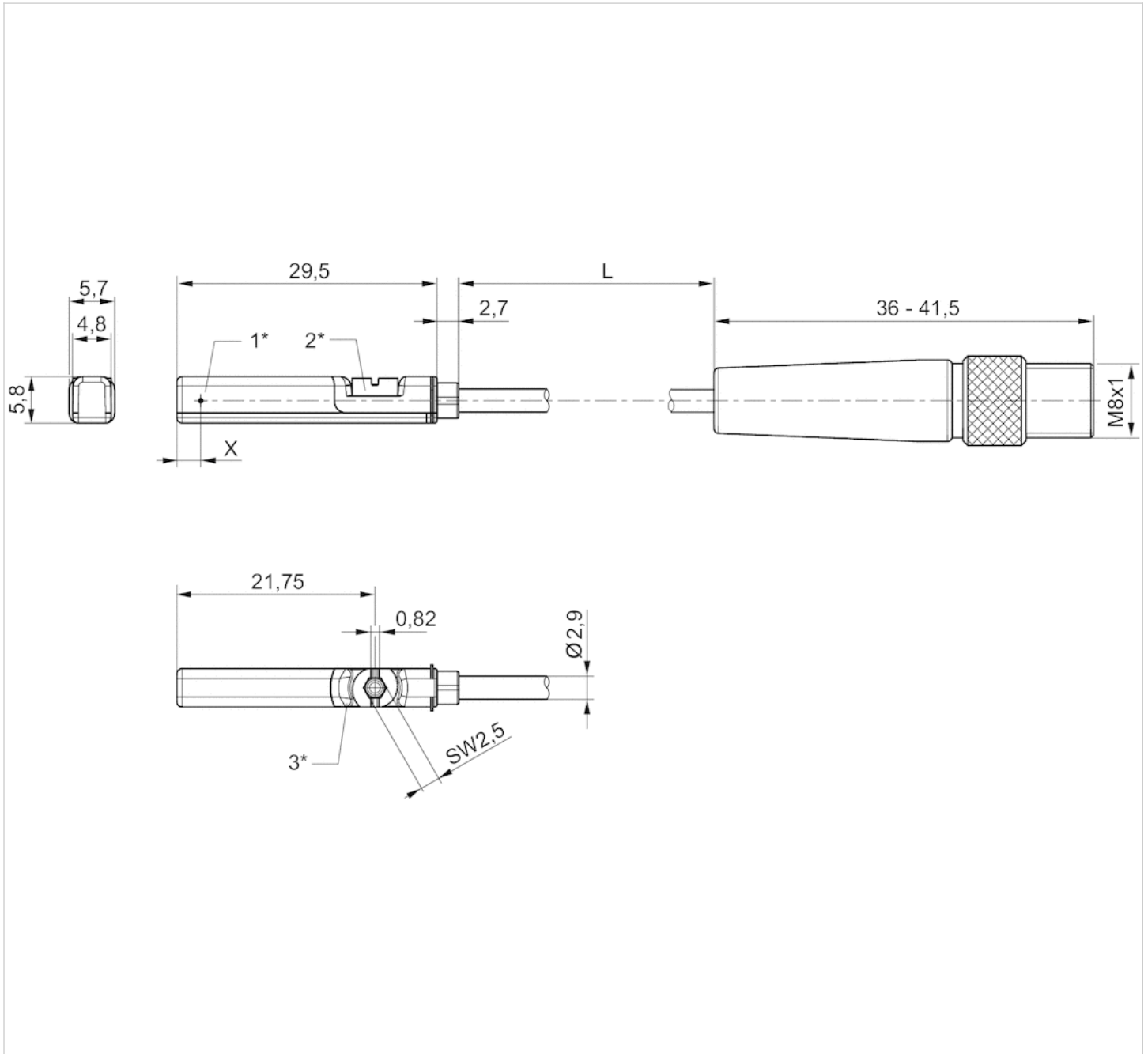
Part No.	Version
R412022873	Protected against polarity reversal
R412022875	Protected against polarity reversal
R412022874	Protected against polarity reversal
R412022859	short circuit resistant Protected against polarity reversal
R412022862	short circuit resistant Protected against polarity reversal
R412022861	short circuit resistant Protected against polarity reversal
R412022852	short circuit resistant Protected against polarity reversal

Technical information

Material	
Housing	Polyamide
Cable sheath	Polyurethane Polyvinyl chloride
Locking screw	Stainless steel

Dimensions

Dimensions



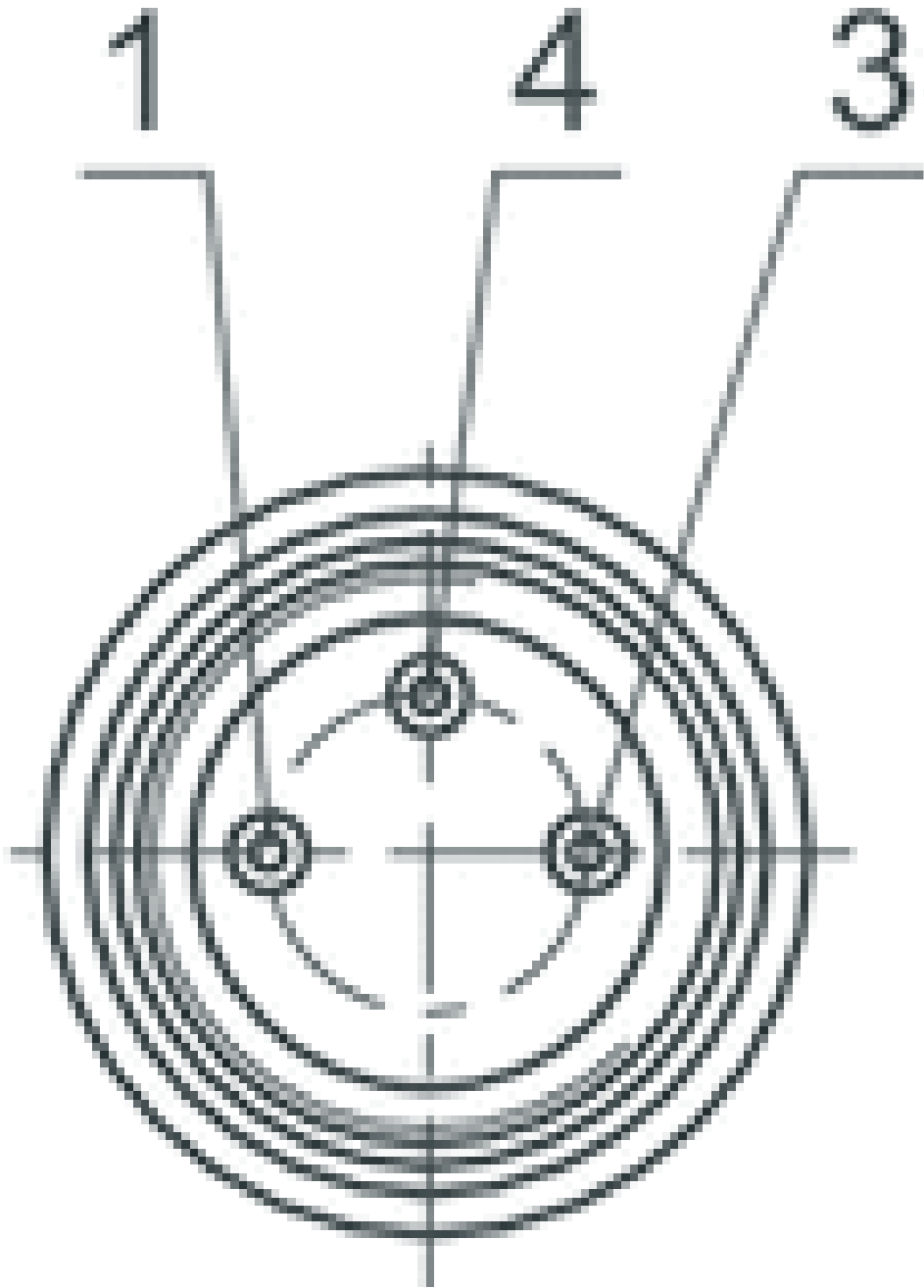
1* = switching point 2* = locking screw 3* = LED window, transparent

L = cable length

X = electronic: 11,6 mm, Reed: 8,3 mm

Pin assignments

Pin assignments



Pin	1	3	4
Allocation	(+)	(-)	(OUT)











Sensor, Series SN2

- Plug, M8, 2-pin Plug, M8, 3-pin Plug, M8, 4-pin
- Reed 2-Wire Reed 3-Wire Reed 3-Wire, with pulse stretching Reed 4-Wire electronic PNP
- With stretched impulse
- With stretched impulse
- Reed electronic PNP
- Indirect mounting for series TRB, PRA, ITS, MNI, CSL-RD, ICM, RPC, TRR, FLT, CVI



Ambient temperature min./max.	See table below
Protection class	IP67
Switching point precision	±0,1 mT
Nominal current, actuated state	15 mA
Quiescent current (without load)	10 mA
Min./max. DC operating voltage	See table below
Min./max. AC operating voltage	See table below
LED status display	See table below

Technical data

Part No.		Type of contact	Min./max. DC operating voltage
0830100465		Reed	12 ... 36 V DC
0830100468		Reed	12 ... 36 V DC
R412004299		Reed	12 ... 36 V DC
0830100466		Reed	12 ... 36 V DC
0830100469		Reed	12 ... 36 V DC
R412004820		Reed	12 ... 36 V DC
0830100472		Reed	12 ... 36 V DC
0830100467		Reed	12 ... 36 V DC
0830100480		electronic PNP	10 ... 30 V DC
R412004800		electronic PNP	10 ... 30 V DC

Part No.	Min./max. AC operating voltage	Voltage drop U at I _{max}
0830100465	12 ... 30 V AC	2,1 V + I*Rs
0830100468	12 ... 30 V AC	2,1 V + I*Rs
R412004299	12 ... 30 V AC	2,1 V + I*Rs
0830100466	12 ... 30 V AC	2,1 V + I*Rs
0830100469	12 ... 30 V AC	≤ 0,5 V
R412004820	12 ... 30 V AC	I*Rs
0830100472	12 ... 30 V AC	≤ 1,5 V
0830100467	12 ... 30 V AC	≤ 3,5 V
0830100480	12 ... 30 V AC	≤ 2,0 V
R412004800	-	≤ 2,0 V

Part No.	DC switching current, max.	AC switching current, max.
0830100465	0,13 A	0,13 A
0830100468	0,3 A	0,5 A
R412004299	0,13 A	0,13 A
0830100466	0,13 A	0,13 A
0830100469	0,13 A	0,13 A
R412004820	0,13 A	0,13 A
0830100472	0,2 A	0,13 A
0830100467	0,13 A	0,13 A
0830100480	0,13 A	-
R412004800	0,13 A	-

Part No.	Function	Ambient temperature min./max.
0830100465	Reed 2-Wire	-20 ... 80 °C
0830100468	Reed 2-Wire	-20 ... 80 °C
R412004299	Reed 3-Wire	-20 ... 80 °C
0830100466	Reed 3-Wire	-20 ... 80 °C
0830100469	Reed 3-Wire	-20 ... 80 °C

Part No.	Function	Ambient temperature min./max.
R412004820	Reed 3-Wire	-20 ... 80 °C
0830100472	Reed 3-Wire, with pulse stretching	-20 ... 70 °C
0830100467	Reed 4-Wire	-20 ... 80 °C
0830100480	electronic PNP	-10 ... 70 °C
R412004800	electronic PNP	-10 ... 70 °C

Part No.	Switching capacity	Protective resistor for reed	Vibration resistance
0830100465	10 W / 10 VA	27 Ω	30 g (50 - 2000 Hz)
0830100468	10 W / 10 VA	1,3 Ω	30 g (50 - 2000 Hz)
R412004299	10 W / 10 VA	27 Ω	30 g (50 - 2000 Hz)
0830100466	10 W / 10 VA	100 Ω	30 g (50 - 2000 Hz)
0830100469	5,5 W / 5,5 VA	27 Ω	30 g (50 - 1000 Hz)
R412004820	10 W / 10 VA	27 Ω	30 g (50 - 2000 Hz)
0830100472	5 W / 5 VA	-	35 g (50 - 2000 Hz)
0830100467	10 W / 10 VA	27 Ω	35 g (50 - 2000 Hz)
0830100480	-	-	-
R412004800	-	-	-

Part No.	Shock resistance	Max. switching frequency	Operating current, not switched
0830100465	100 g / 11 ms	-	-
0830100468	100 g / 11 ms	-	-
R412004299	100 g / 11 ms	-	-
0830100466	100 g / 11 ms	-	-
0830100469	100 g / 11 ms	-	-
R412004820	100 g / 11 ms	-	-
0830100472	50 g / 11 ms	-	-
0830100467	50 g / 11 ms	-	-
0830100480	-	2000 Hz	10 mA
R412004800	-	2000 Hz	10 mA

Part No.	Operating current, switched	Material Housing	LED status display
0830100465	-	Polyamide	Yellow
0830100468	-	Polyamide	Yellow
R412004299	-	Polyamide	Yellow
0830100466	-	Polyamide	Yellow
0830100469	-	Polyamide	Yellow
R412004820	-	epoxy resin	Yellow
0830100472	-	-	Red
0830100467	-	epoxy resin	Red
0830100480	15 mA	Polyamide	Yellow
R412004800	15 mA	epoxy resin	Yellow

Part No.	Version
0830100465	Protected against polarity reversal
0830100468	Protected against polarity reversal
R412004299	Protected against polarity reversal
0830100466	Protected against polarity reversal
0830100469	Protected against polarity reversal
R412004820	Protected against polarity reversal
0830100472	Protected against polarity reversal
0830100467	Protected against polarity reversal
0830100480	short circuit resistant Protected against polarity reversal
R412004800	short circuit resistant Protected against polarity reversal

Part No.	Switch signal	Fig.	
0830100465	-	Fig. 1	1)
0830100468	-	Fig. 1	1)
R412004299	-	Fig. 1	2)
0830100466	-	Fig. 1	1)
0830100469	-	Fig. 1	2)
R412004820	-	Fig. 1	2)
0830100472	With stretched impulse	Fig. 1	2)
0830100467	-	Fig. 2	3)
0830100480	-	Fig. 1	2)
R412004800	-	Fig. 1	2)

1) Plug M8, 2-pin

2) Plug M8, 3-pin

3) Plug M8, 4-pin

Technical information

If reed sensors are used, we recommend using a short-circuit protective device (SCPD).

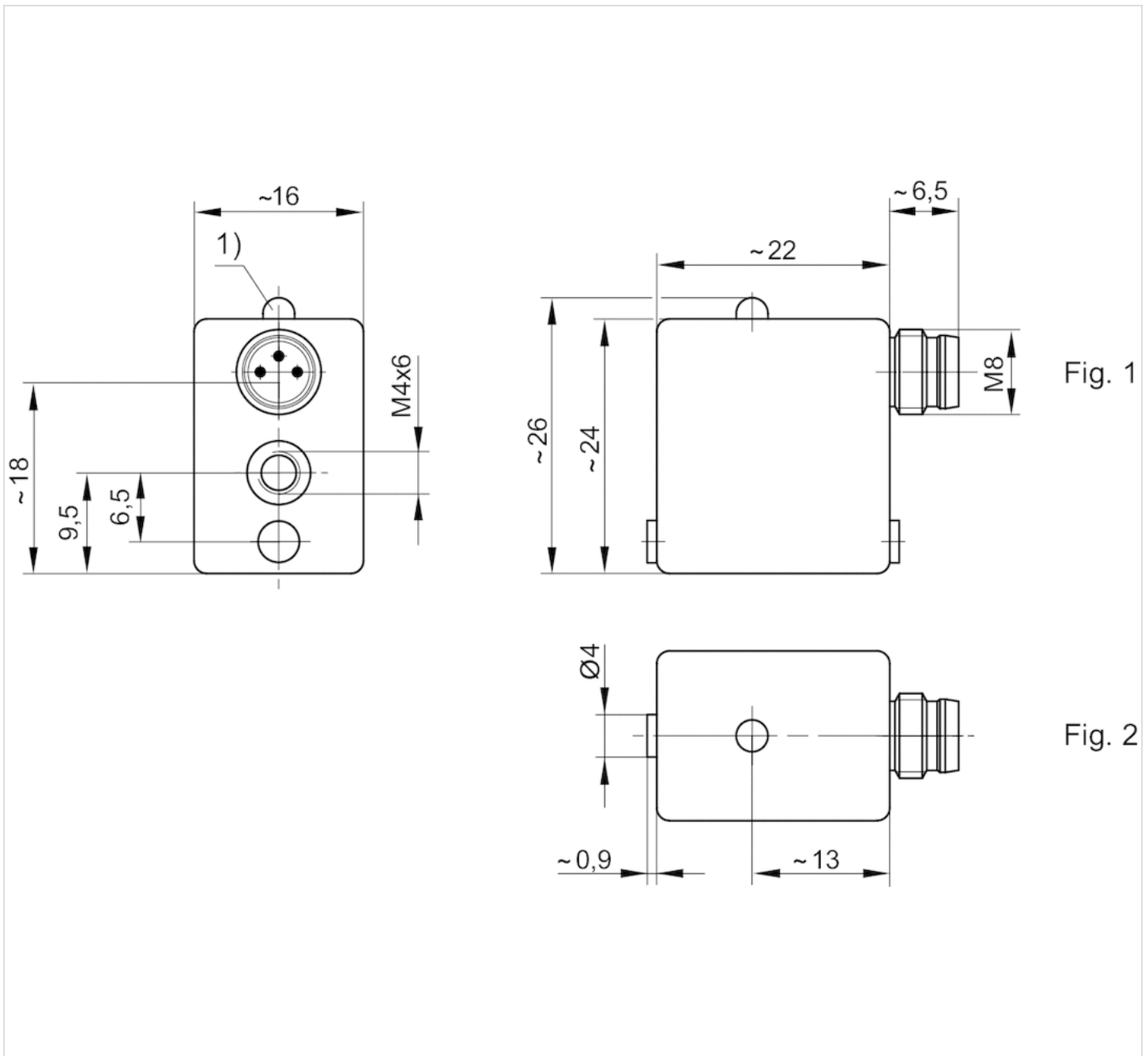
Technical information

Material

Housing	Polyamide epoxy resin
---------	-----------------------

Dimensions

Fig. 1



1) LED

M8: combination plug can be combined with valve plug connectors $\varnothing 6.5$ mm and M8.

Pin assignments: 1 = (+), 3 = (-), 4 = (OUT), EN 60947-5-2:1998

Fig. 2

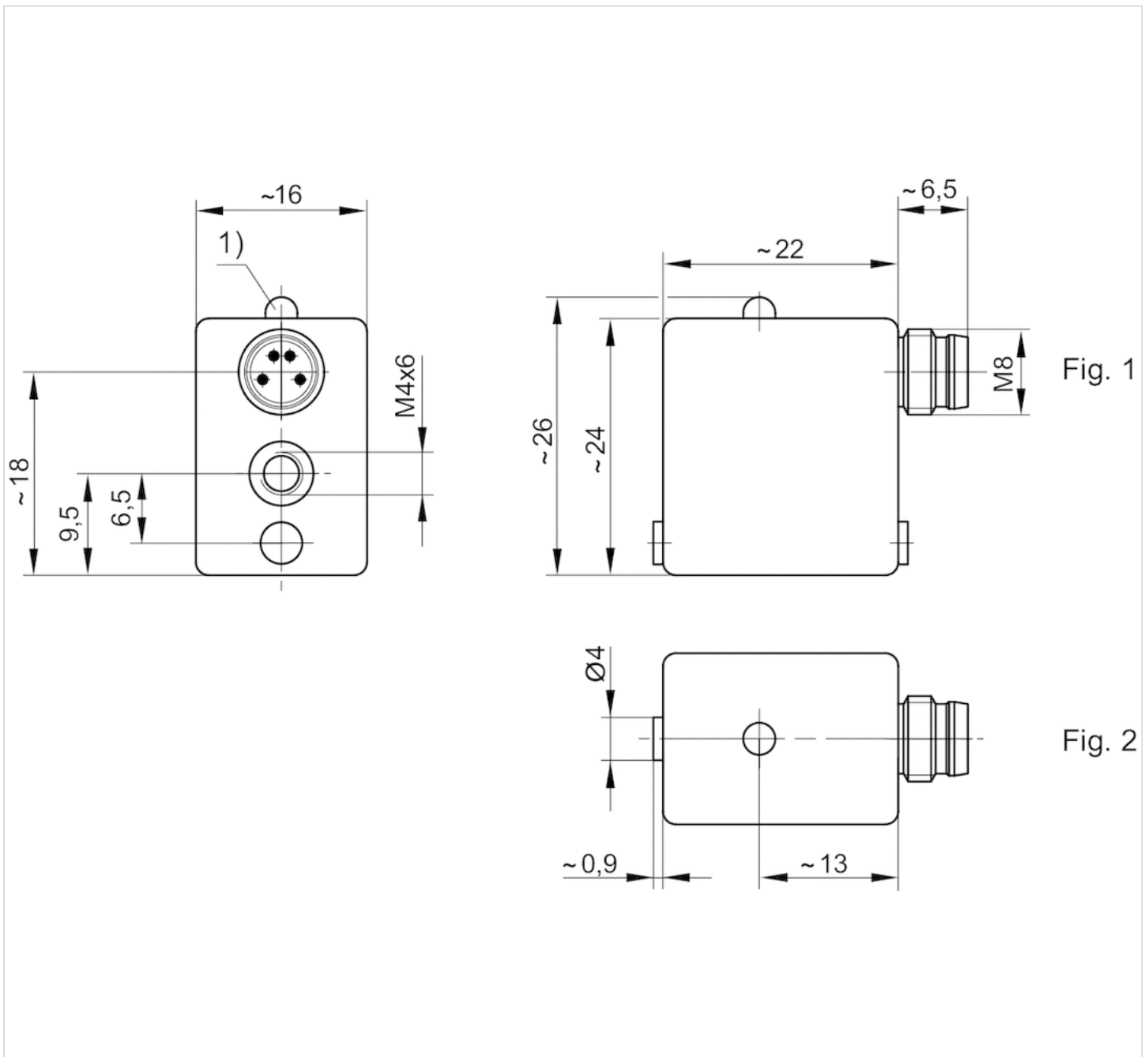


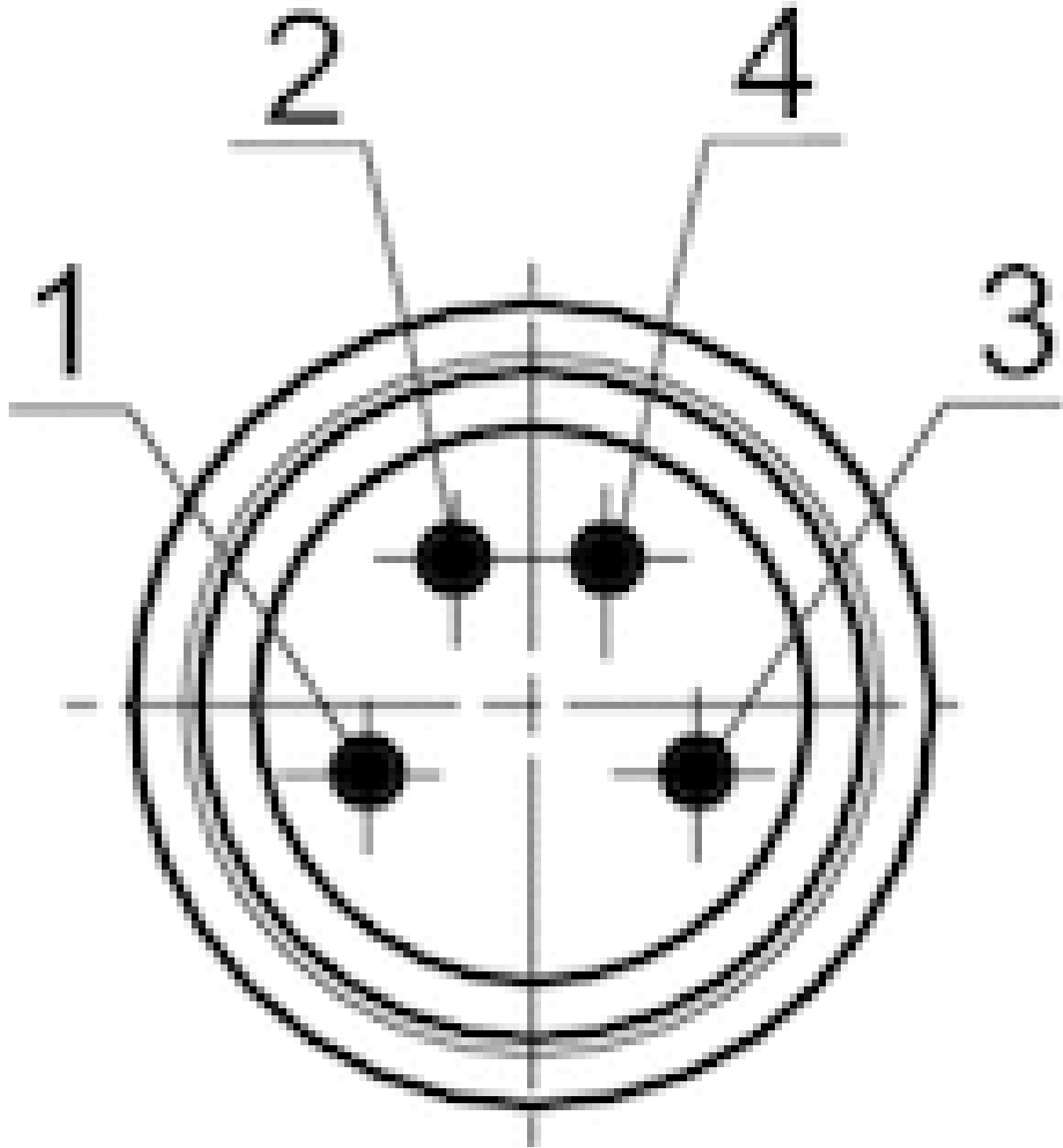
Fig. 1

Fig. 2

1) LED

M8: combination plug can be combined with valve plug connectors Ø6.5 mm and M8.

Pin assignments

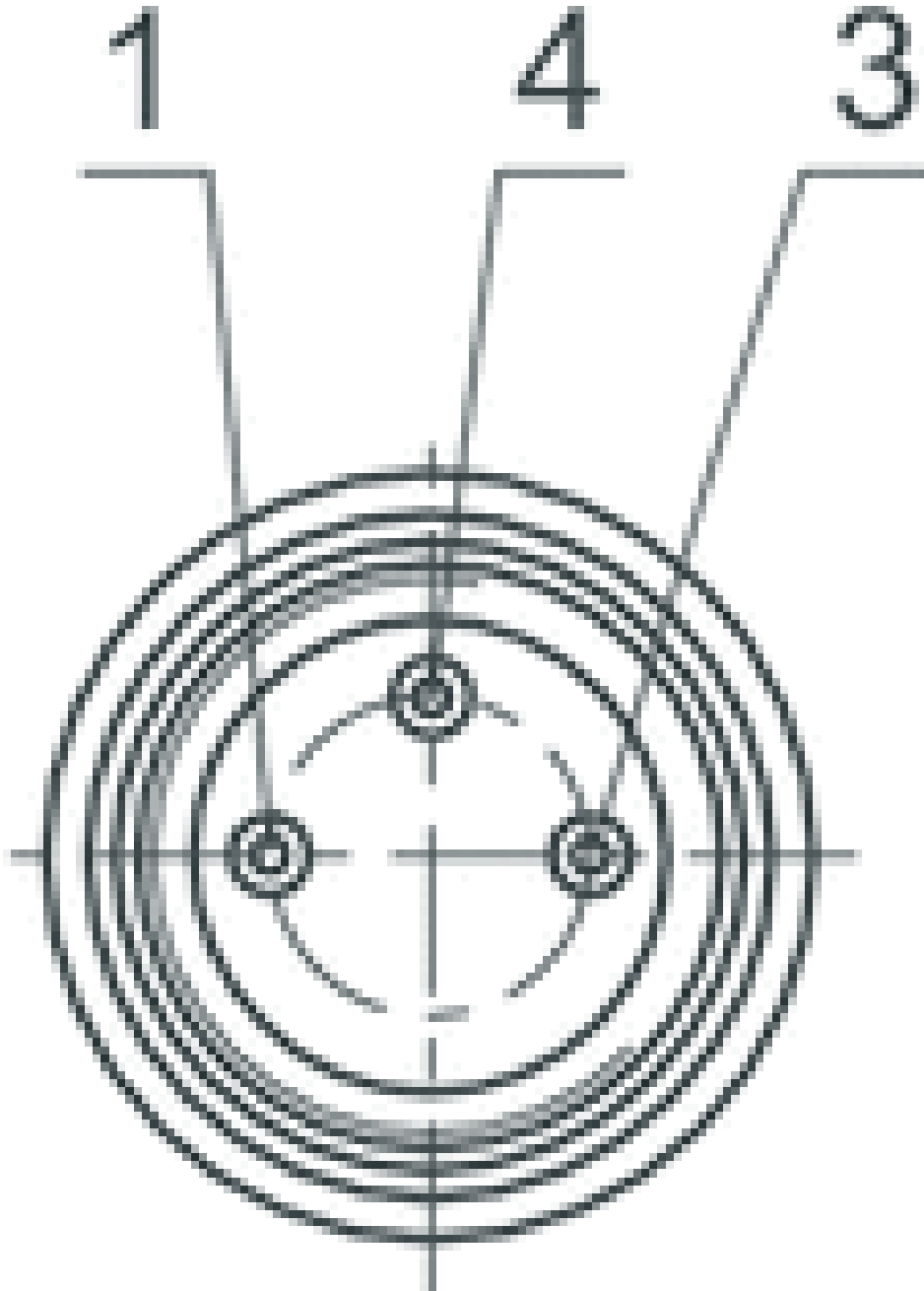


Pin	1	3	4
Allocation	(+)	(-)	(OUT)

EN 60947-5-2:1998

Pin assignments

Pin assignments



Pin	1	3	4
Allocation	(+)	(-)	(OUT)

Series CAT

- Measuring instrument for adjusting the pneumatic cushioning
- for MNI, CSL-RD, CCL-IS, ICS, RPC, PRA/TRB, ITS



Certificates	CE declaration of conformity
Ambient temperature min./max.	0 ... 40 °C
Measurement range Min.	0,2 m/s
Measurement range Max.	2 m/s
LED status display	Green, Yellow, Red
Protection class	IP50
Weight	0,12 kg

Technical data

Part No.	for series
R412026160	MNI, CSL-RD, CCL-IS, ICS, RPC, PRA/TRB, ITS

Scope of delivery: 1 measuring instrument, 2 fastening strips, 1 power pack 3.7 V, 1 USB charging cable, Operating instructions, QR code notice, 1 case with foam inlay

Technical information

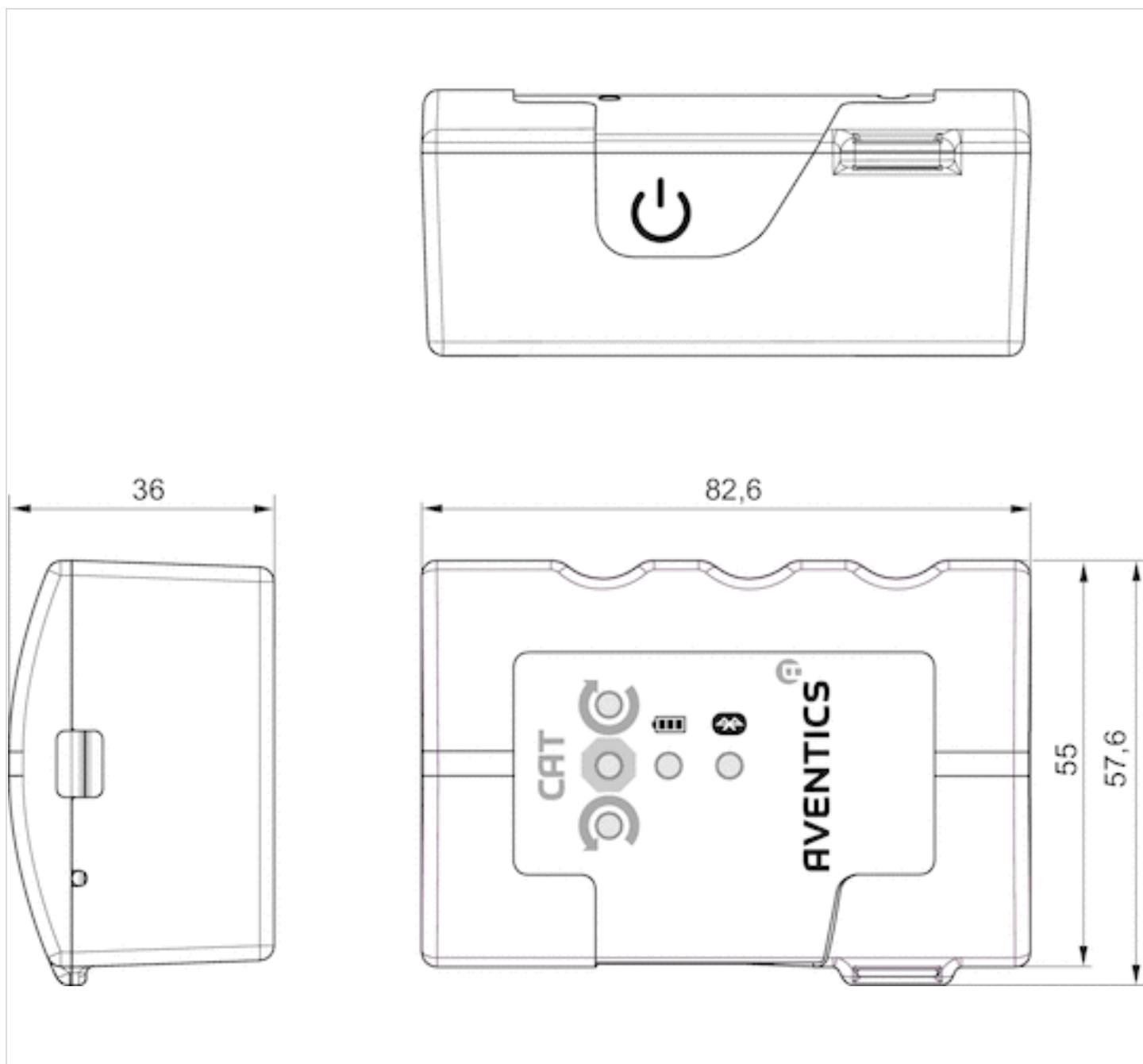
The CAT measuring instrument uses Bluetooth radio technology for wireless connection with the "Aventics" app, which is available free of charge in the Android/Play Store and/or the IOS/App Store.

Technical information

Material	
Housing	Luran S

Dimensions

Dimensions



Sensor mounting

- for series SN2



Weight

See table below

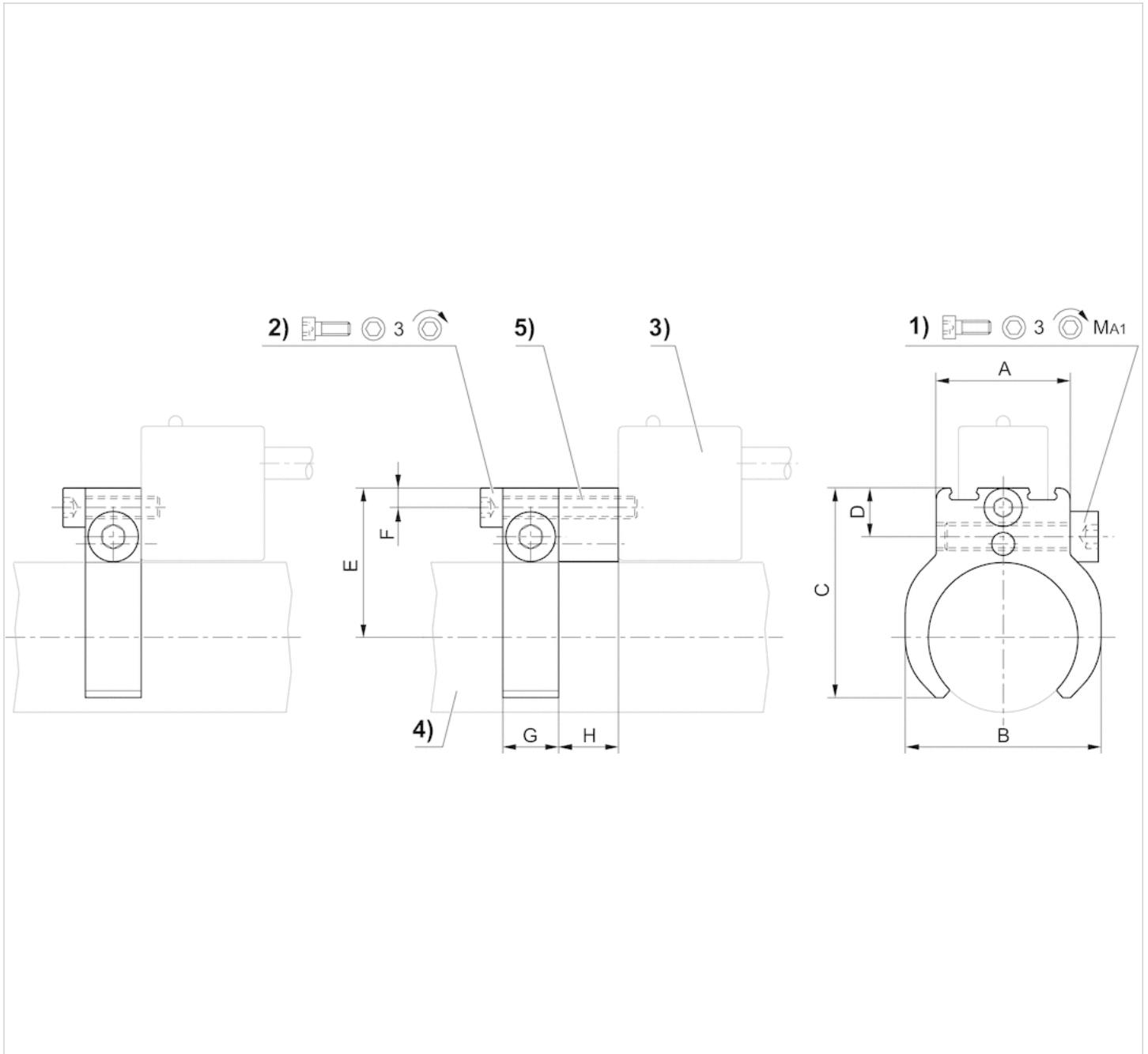
Technical data

Part No.	Cylinders Ø		for series	Weight
	min.	max.		
1827020142	32 mm	32 mm	SN2	0,023 kg
1827020143	40 mm	40 mm	SN2	0,027 kg
1827020144	50 mm	50 mm	SN2	0,031 kg
1827020266	63 mm	63 mm	SN2	0,04 kg

Technical information

Material	
	Aluminum

Dimensions



1) Clamping screw 2) Mounting screw for sensor 3) Sensor 4) Cylinder profile 5) Insert (on request)

Dimensions

Part No.	Cylinders Ø mm	A	B	C	D	E	F	G	H	1)	MA1 [Nm]
1827020142	32 mm	26	42	44	9	30	3.5	10	–	M4x25	1 +0,3
1827020143	40 mm	28	50	51	9	34	3.5	10	–	M4x25	1 +0,3
1827020144	50 mm	34	62	60	9	39.3	3.5	10	–	M4x25	1 +0,3
1827020266	63 mm	45	75	72	9.5	45.7	3.5	14	–	M4x18	1 +0,3

Sensor mounting, Series CB1

- for series ST6

- to mount on cylinder RPC



Weight

See table below

Technical data

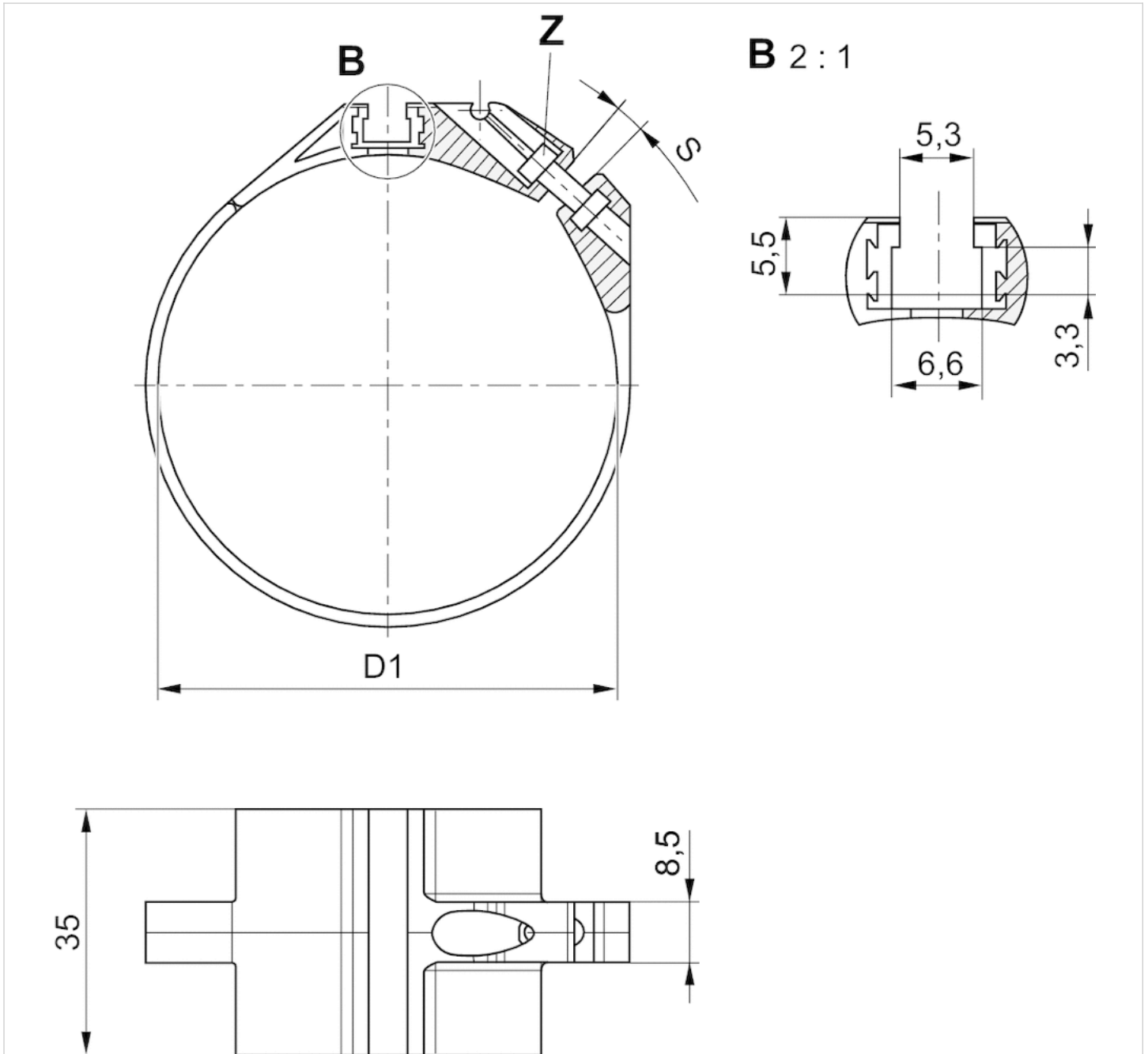
Part No.	Cylinders Ø		for series	Weight
	min.	max.		
R412025665	32 mm	32 mm	ST6	0,01 kg
R412025666	40 mm	40 mm	ST6	0,011 kg
R412025667	50 mm	50 mm	ST6	0,013 kg
R412025668	63 mm	63 mm	ST6	0,014 kg

Technical information

Material

Polyoxymethylene Aluminum

Dimensions



Dimensions

Part No.	D1	S	Z
R412025665	34	35	ISO 4762 - M3 x 10 A2
R412025666	42	43	ISO 4762 - M3 x 12 A2
R412025667	52,9	54	ISO 4762 - M3 x 12 A2
R412025668	65	66	ISO 4762 - M3 x 12 A2

S = recommended max. spread width [mm]

Sensor mounting, Series CB1

- for series ST6

- to mount on cylinder CSL-RD, ICM, ICS-D1, ICS-D2, RPC



Weight

See table below

Technical data

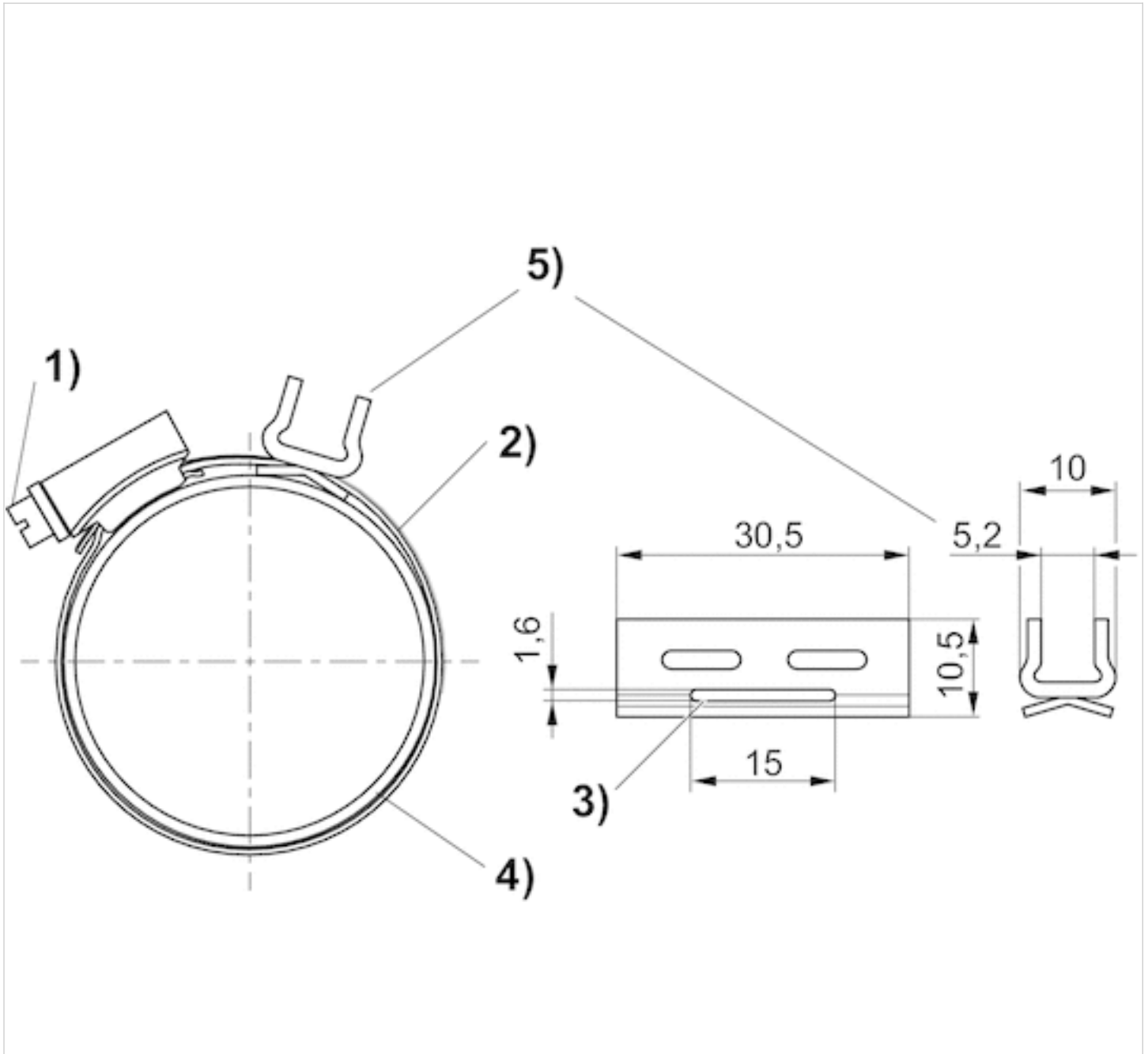
Part No.	Cylinders Ø	Cylinders Ø	for series	Weight	Fig.
	min.	max.			
R412024050	25 mm	32 mm	ST6	-	Fig. B
R412024051	40 mm	40 mm	ST6	-	Fig. B
R412024052	50 mm	50 mm	ST6	-	Fig. B
R412024053	63 mm	63 mm	ST6	-	Fig. B
R412024054	25 mm	63 mm	ST6	0,011 kg	Fig. A

Sensor holder (Fig. A) and tightening strap (Fig. B) must be ordered separately.

Technical information

Material	
	Stainless steel

Dimensions



1) Mounting screw 2) Tightening strap 3) Opening for tightening strap 4) Cylinder tube 5) Sensor holder

Dimensions

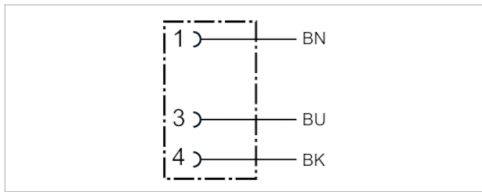
Part No.	Cylinder tube Ø	For series	Fig.
R412024050	25 40 mm	ST6	Fig. B
R412024051	32 50 mm	ST6	Fig. B
R412024052	40 60 mm	ST6	Fig. B
R412024053	50 70 mm	ST6	Fig. B
R412024054	-	ST6	Fig. A

Round plug connector, Series CON-RD

- Socket M8x1 3-pin A-coded straight 180°
- open cable ends
- with cable
- UL (Underwriters Laboratories)
- unshielded



Ambient temperature min./max.	-25 ... 85 °C
Operational voltage	48 V AC/DC
Protection class	IP67
Wire cross-section	0,24 mm ²
Weight	See table below



Technical data

Part No.	Max. current	Number of wires	Cable-Ø	Cable length	Certification	Weight
1834484166	4 A	3	4,5 mm	3 m	UL (Underwriters Laboratories)	0,087 kg
1834484168	4 A	3	4,5 mm	5 m	UL (Underwriters Laboratories)	0,141 kg
1834484247	4 A	3	4,5 mm	10 m	UL (Underwriters Laboratories)	0,277 kg

Technical information

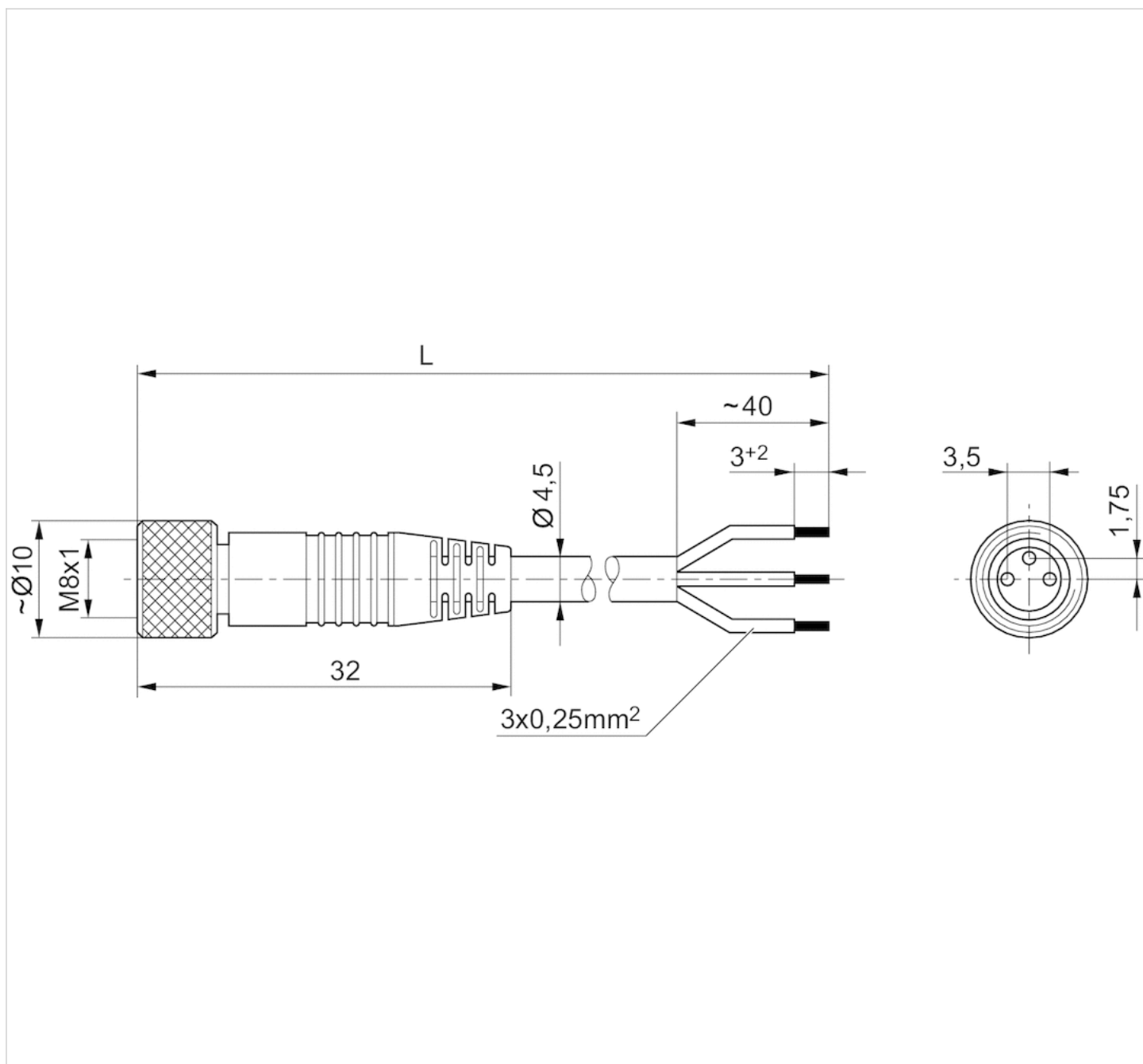
The specified protection class is only valid in assembled and tested state.

Technical information

Material	
Housing	Polyurethane
Cable sheath	Polyurethane

Dimensions

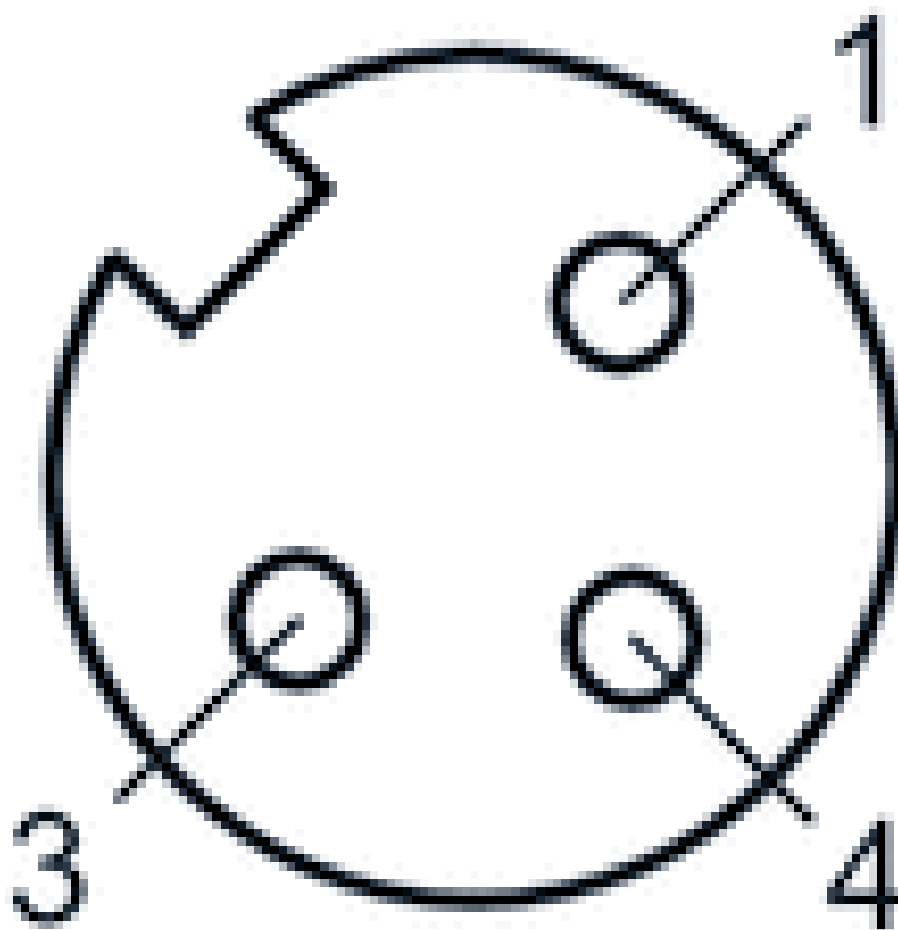
Dimensions



L = length

Pin assignments

Pin assignment, socket



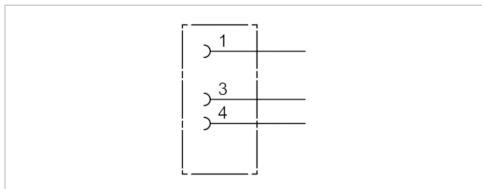
- (1) BN=brown
- (3) BU=blue
- (4) BK=black

Round plug connector, Series CON-RD

- Socket, M8x1, 3-pin, A-coded, angled, 90°
- UL (Underwriters Laboratories)
- unshielded



Connection type	Soldering
Ambient temperature min./max.	-40 ... 85 °C
Operational voltage	48 V AC/DC
Protection class	IP67
Weight	0,01 kg



Technical data

Part No.	Max. current	Contact assignment	suitable cable-Ø min./max
1834484174	4 A	3	3,5 / 5 mm

Technical information

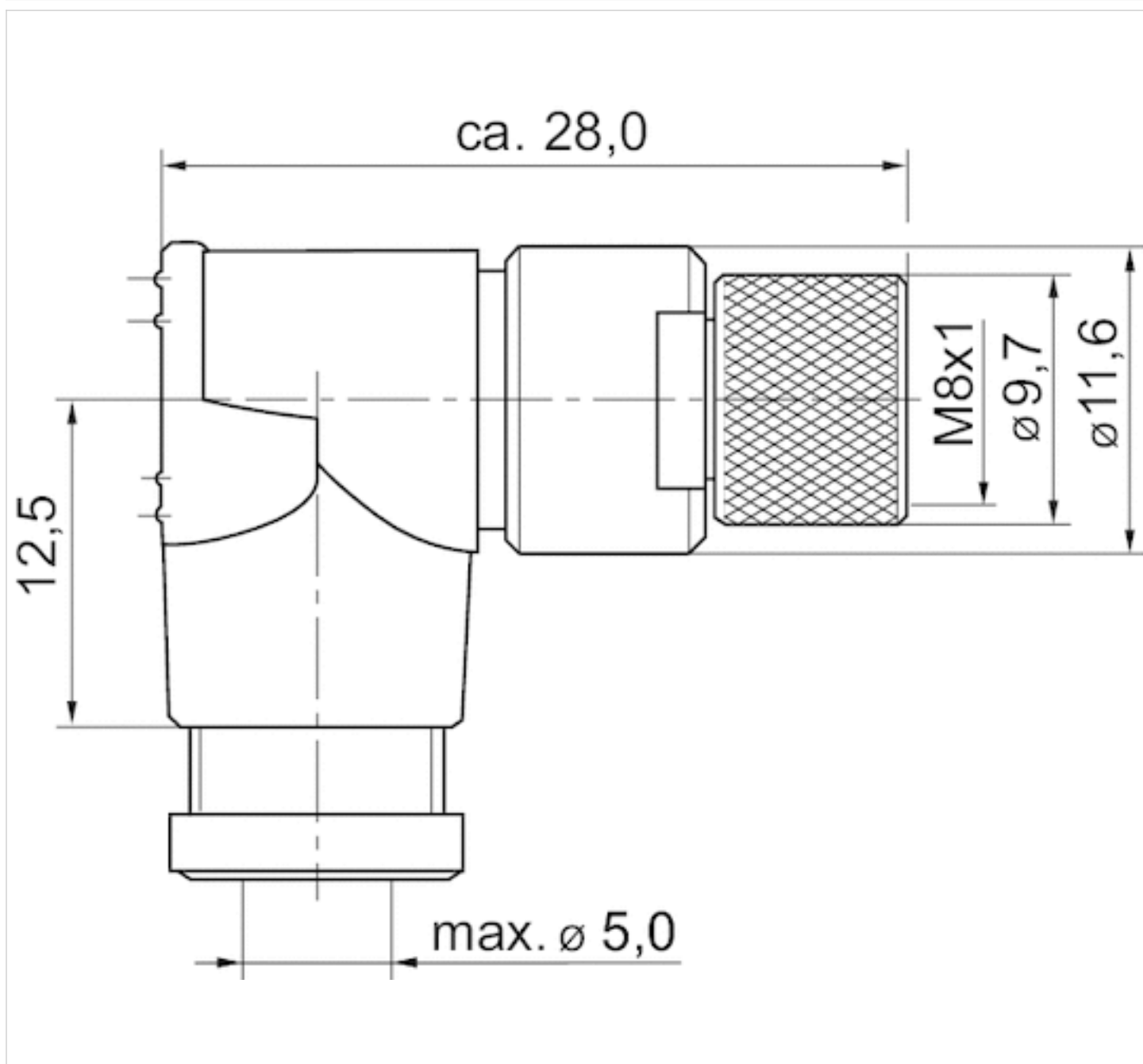
The specified protection class is only valid in assembled and tested state.

Technical information

Material	
Housing	Polyamide

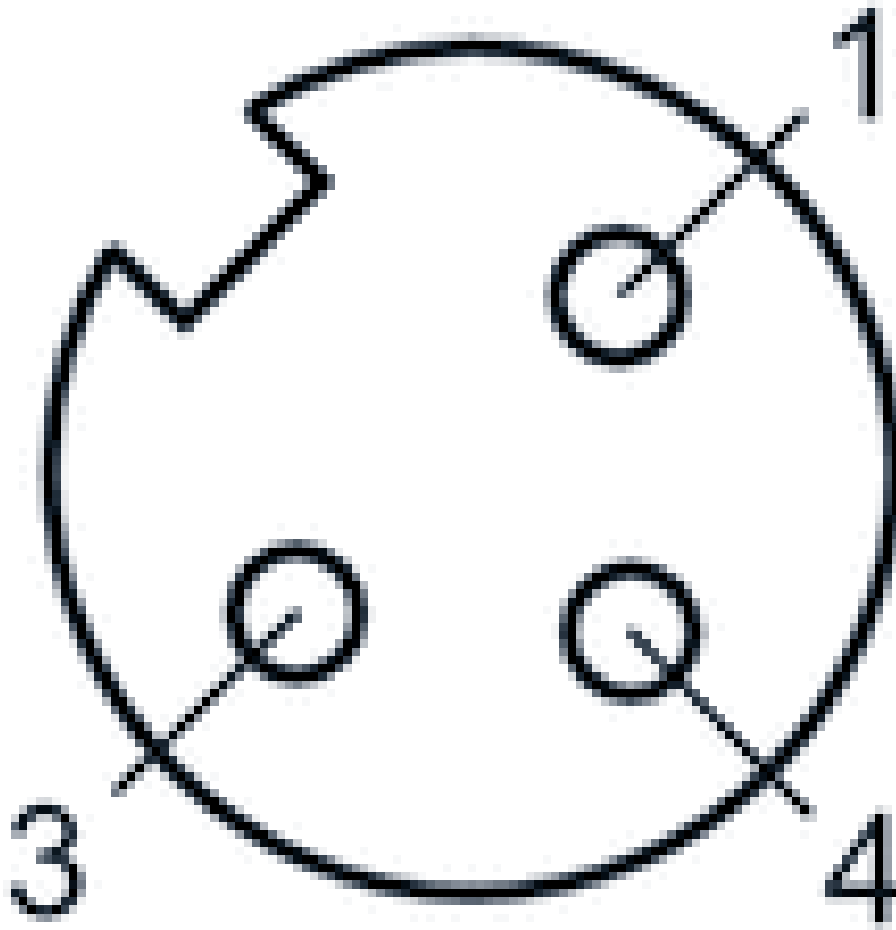
Dimensions

Dimensions



Pin assignments

Pin assignment, socket

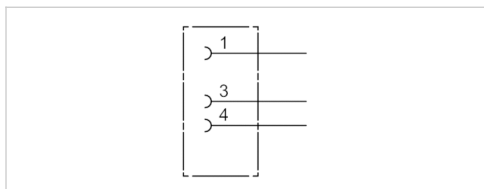


Round plug connector, Series CON-RD

- Socket, M8x1, 3-pin, A-coded, straight, 180°
- UL (Underwriters Laboratories)
- unshielded



Connection type	Soldering
Ambient temperature min./max.	-25 ... 80 °C
Operational voltage	48 V AC/DC
Protection class	IP67
Weight	0,009 kg



Technical data

Part No.	Max. current	suitable cable-Ø min./max
1834484173	4 A	3,5 / 5 mm

Technical information

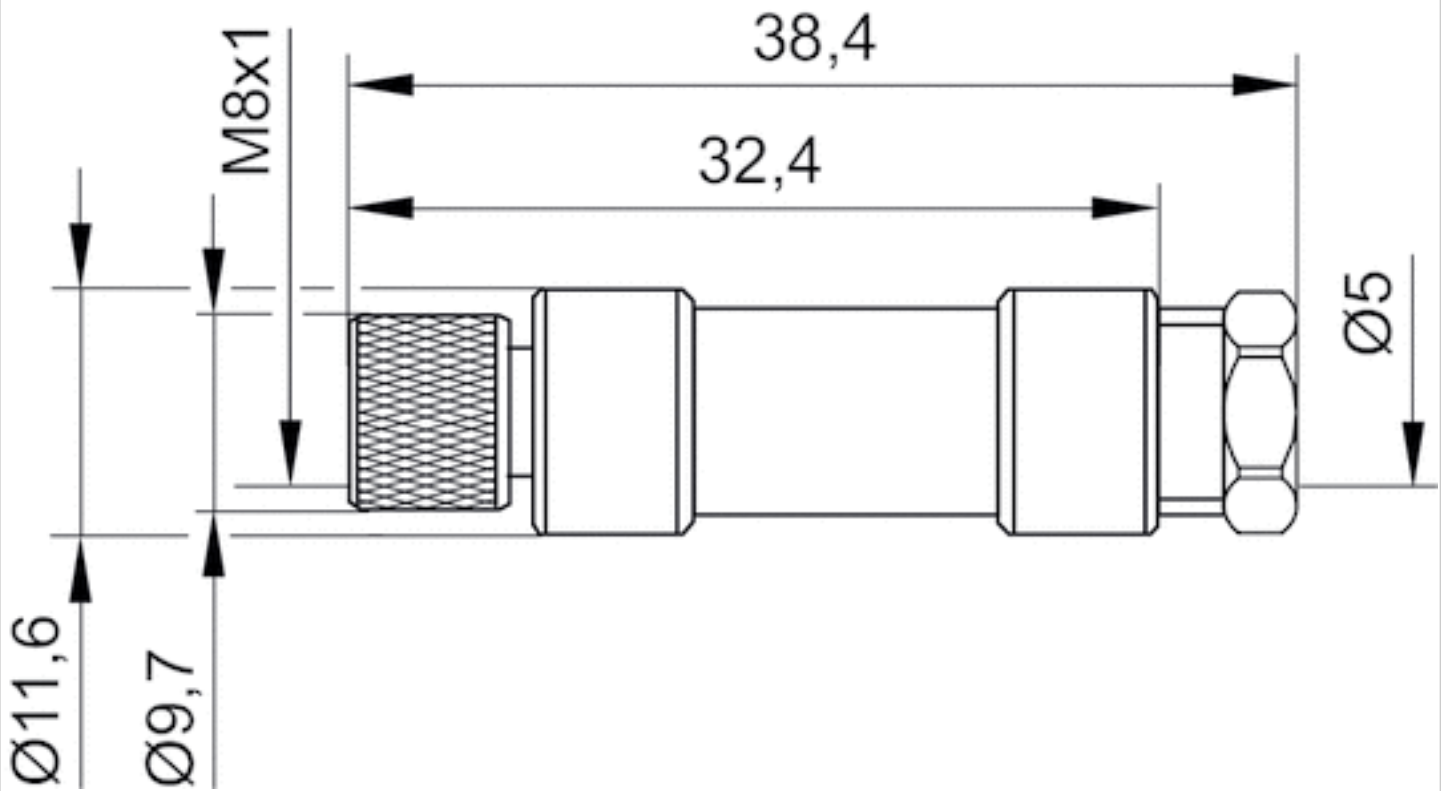
The specified protection class is only valid in assembled and tested state.

Technical information

Material	
Housing	Polyamide

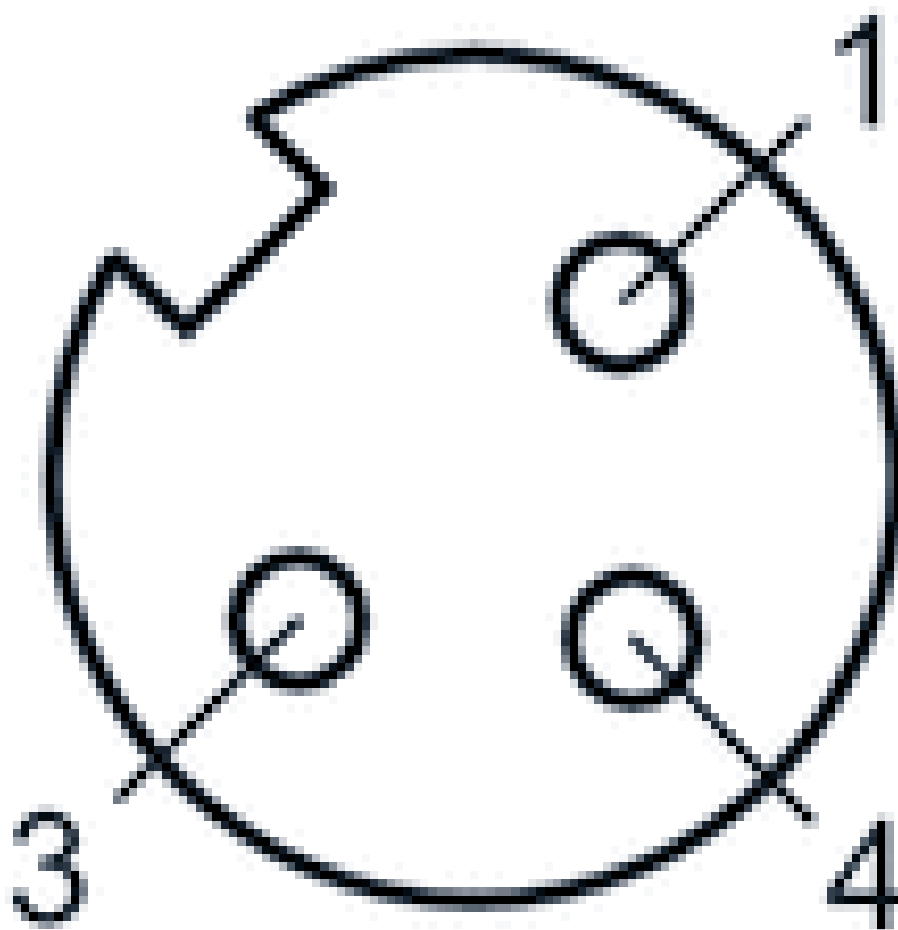
Dimensions

Dimensions



Pin assignments

Pin assignment, socket

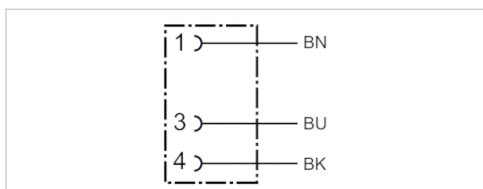


Round plug connector, Series CON-RD

- Socket M8x1 3-pin A-coded angled 90°
- open cable ends
- with cable
- unshielded



Ambient temperature min./max.	-40 ... 85 °C
Operational voltage	48 V AC/DC
Protection class	IP67
Wire cross-section	0,24 mm ²
Weight	See table below



Technical data

Part No.	Max. current	Number of wires	Cable-Ø	Cable length	Weight
1834484167	4 A	3	4,5 mm	3 m	0,087 kg
1834484169	4 A	3	4,5 mm	5 m	0,139 kg
1834484248	4 A	3	4,5 mm	10 m	0,279 kg

Technical information

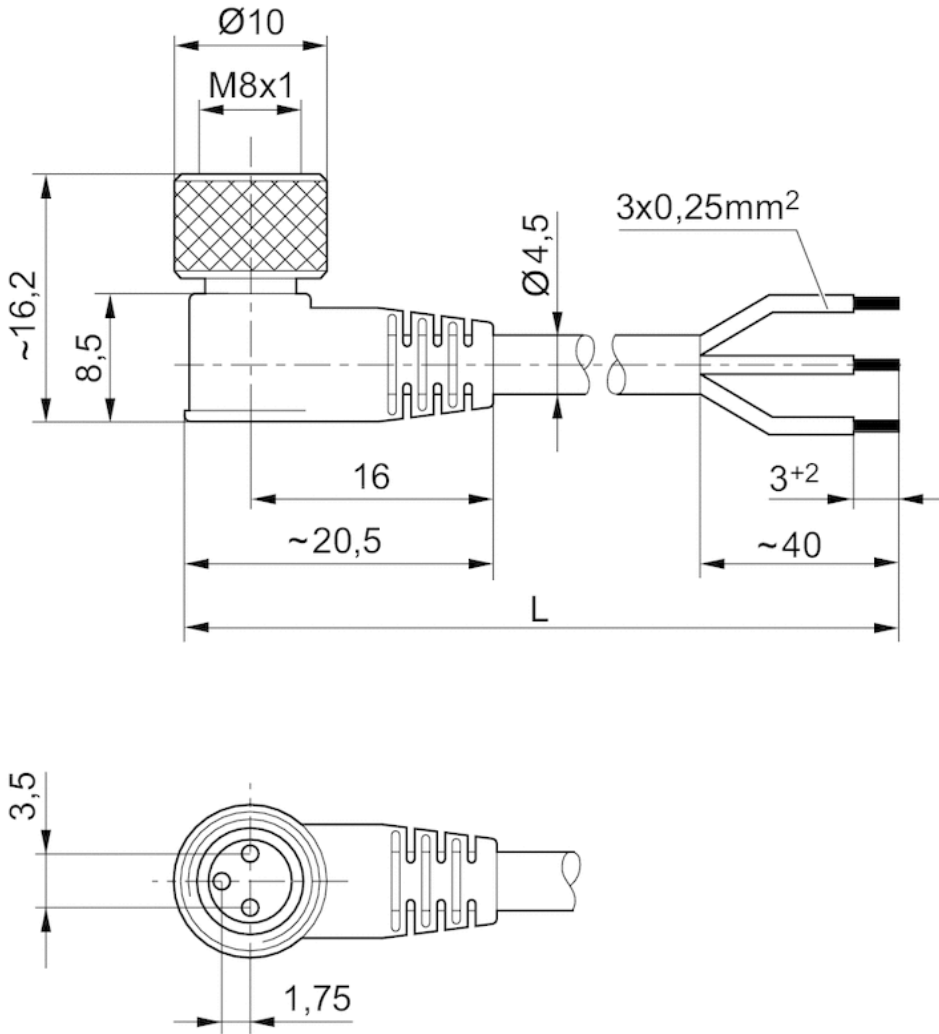
The specified protection class is only valid in assembled and tested state.

Technical information

Material	
Housing	Polyurethane
Cable sheath	Polyurethane

Dimensions

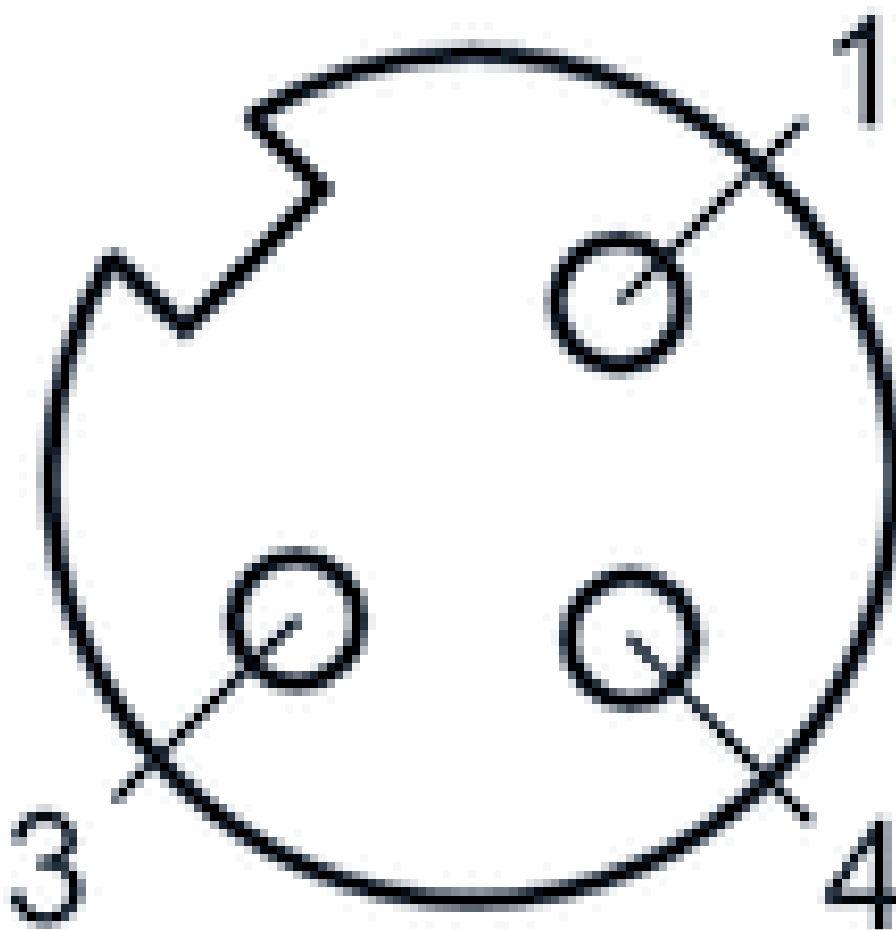
Dimensions



L = length

Pin assignments

Pin assignment, socket



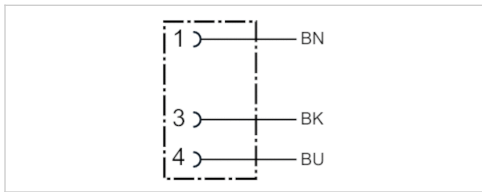
- (1) BN=brown
- (3) BU=blue
- (4) BK=black

Round plug connector, Series CON-RD

- Socket Snap Ø8 3-pin with detent straight 180°
- open cable ends
- with cable
- unshielded



Operational voltage	48 V AC/DC
Protection class	IP65
Wire cross-section	0,25 mm ²
Weight	0,058 kg



Technical data

Part No.	Max. current	Number of wires	Cable-Ø	Cable length
8946016112	3 A	3	4,5 mm	2,5 m

Technical information

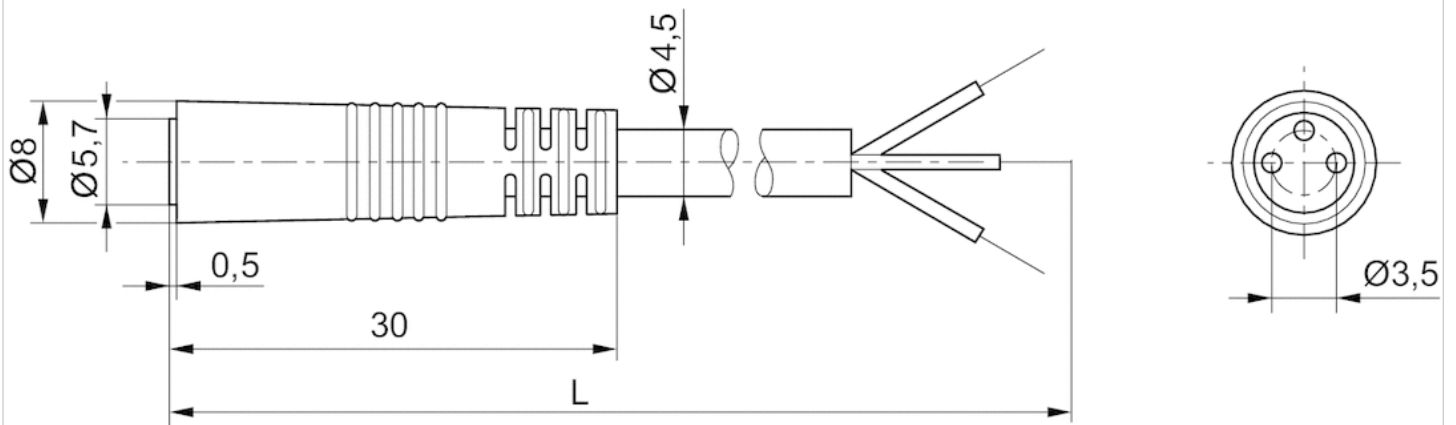
The specified protection class is only valid in assembled and tested state.

Technical information

Material	
Cable sheath	Polyvinyl chloride

Dimensions

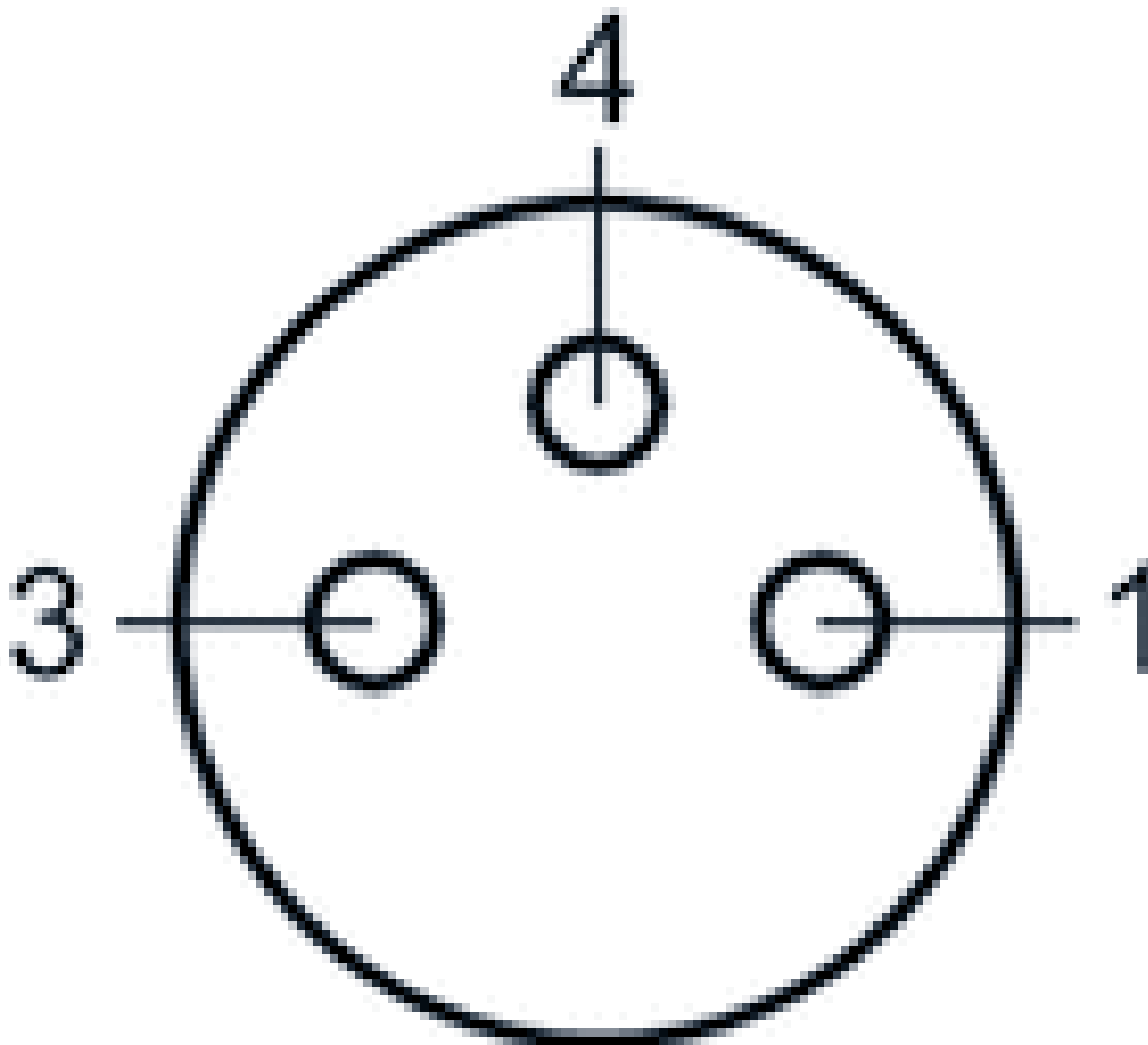
Dimensions



L = length

Pin assignments

Pin assignment, socket



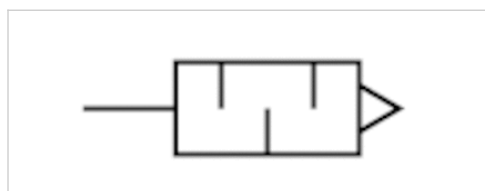
- (1) BN=brown
- (2) BK=black
- (3) BU=blue

Silencers, series SI1

- G 1/8
- Sintered bronze



Working pressure min./max.	0 ... 10 bar
Ambient temperature min./max.	-25 ... 80 °C
Medium	Compressed air
Sound pressure level	75 dB
Weight	0,01 kg
Comment	Flow characteristic curves can be found under "Diagrams".



Technical data

Part No.	Compressed air connection	Flow	Delivery unit
		Qn	
1827000000	G 1/8	1623 l/min	10 piece

Weight per piece

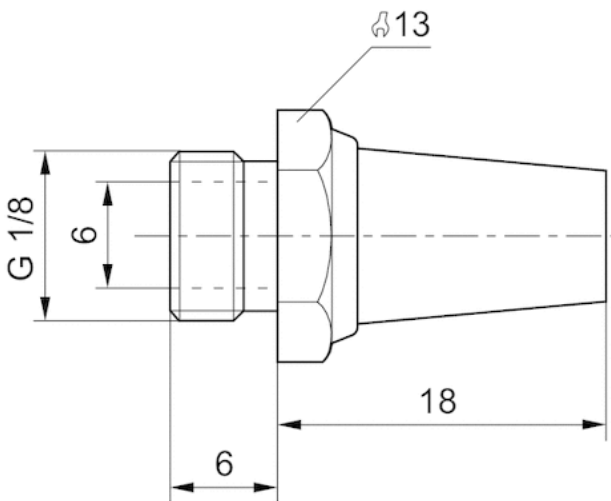
Nominal flow Qn at p1 = 6 bar (absolute) freely discharged. Sound pressure level measured at 6 bar against atmosphere at 1 m distance.

Technical information

Material	
Silencer	Sintered bronze
Thread	Brass

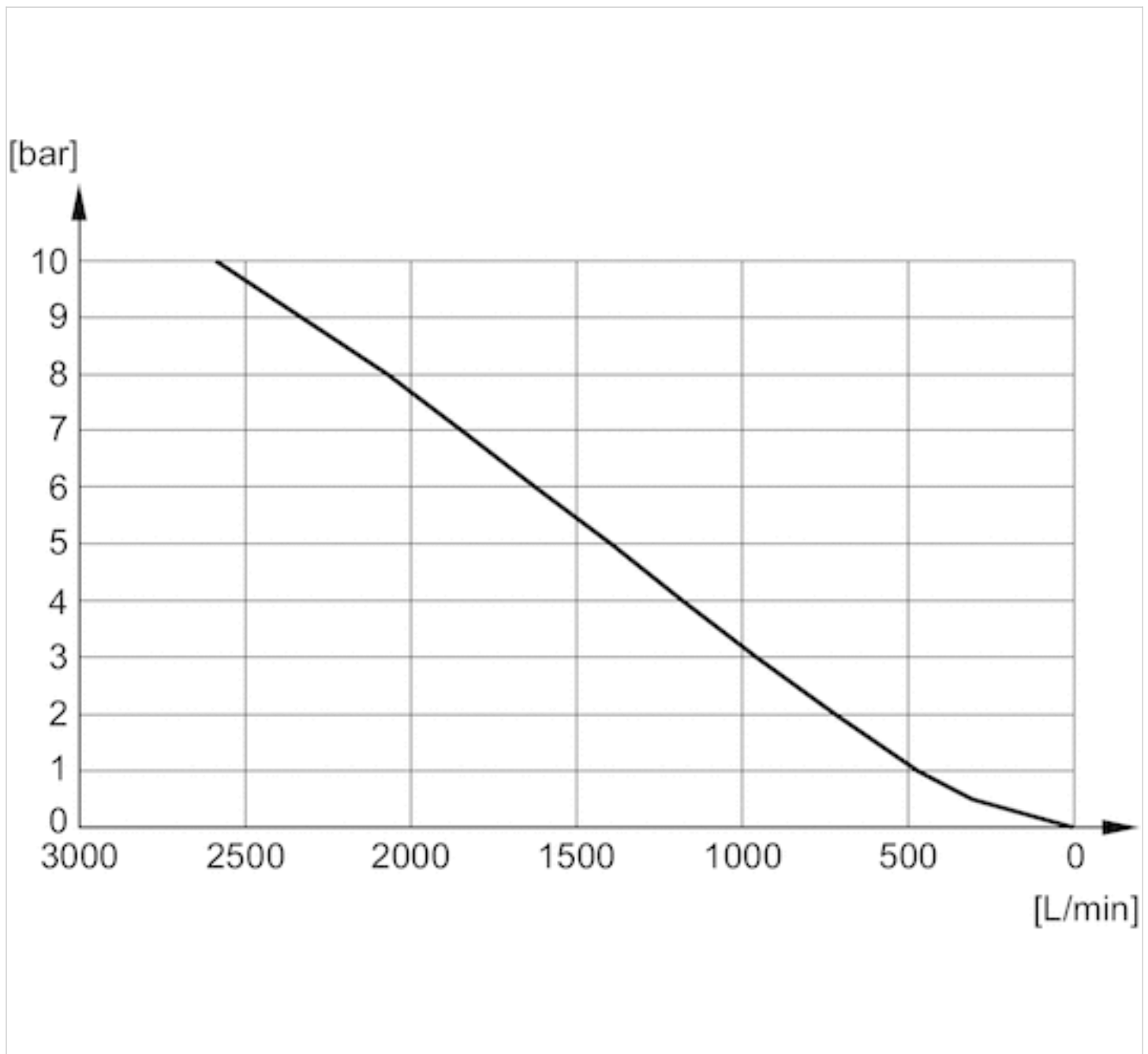
Dimensions

Dimensions in mm



Diagrams

Flow diagram, 1827000000

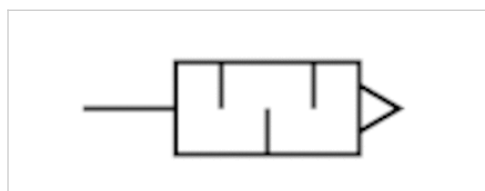


Silencers, series SI1

- G 1/4
- Sintered bronze



Working pressure min./max.	0 ... 10 bar
Ambient temperature min./max.	-25 ... 80 °C
Medium	Compressed air
Sound pressure level	79 dB
Weight	0,02 kg
Comment	Flow characteristic curves can be found under "Diagrams".



Technical data

Part No.	Compressed air connection	Flow	Delivery unit
		Qn	
1827000001	G 1/4	3390 l/min	10 piece

Weight per piece

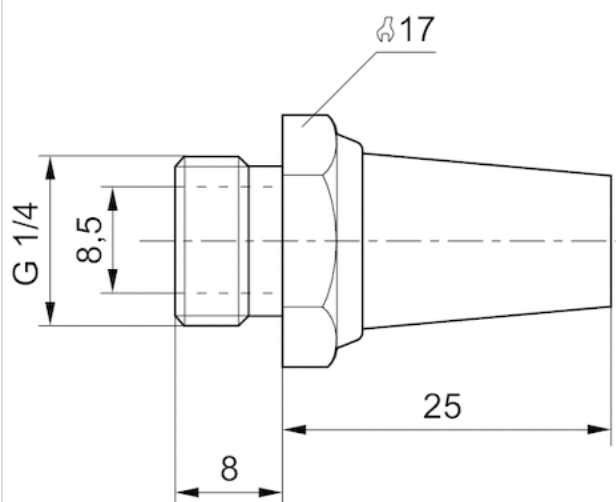
Nominal flow Qn at p1 = 6 bar (absolute) freely discharged. Sound pressure level measured at 6 bar against atmosphere at 1 m distance.

Technical information

Material	
Silencer	Sintered bronze
Thread	Brass

Dimensions

Dimensions in mm

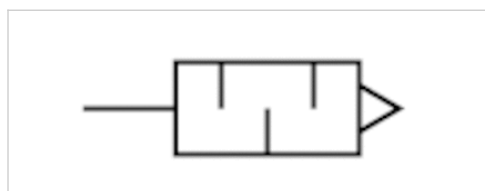


Silencers, series SI1

- G 3/8
- Sintered bronze



Working pressure min./max.	0 ... 10 bar
Ambient temperature min./max.	-25 ... 80 °C
Medium	Compressed air
Sound pressure level	84 dB
Weight	0,05 kg
Comment	Flow characteristic curves can be found under "Diagrams".



Technical data

Part No.	Compressed air connection	Flow	Delivery unit
		Qn	
1827000002	G 3/8	6554 l/min	5 piece

Weight per piece

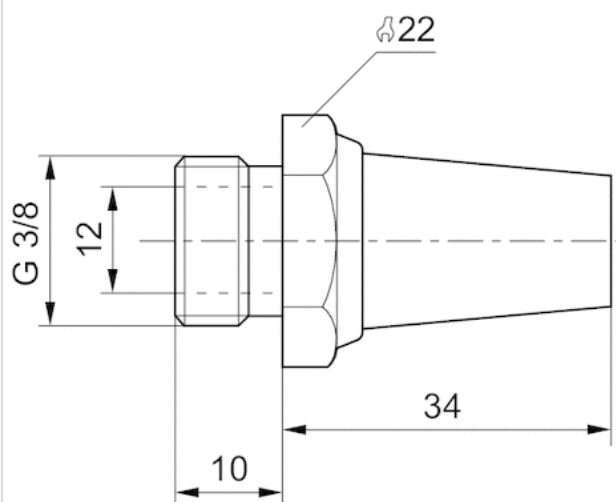
Nominal flow Qn at p1 = 6 bar (absolute) freely discharged. Sound pressure level measured at 6 bar against atmosphere at 1 m distance.

Technical information

Material	
Silencer	Sintered bronze
Thread	Brass

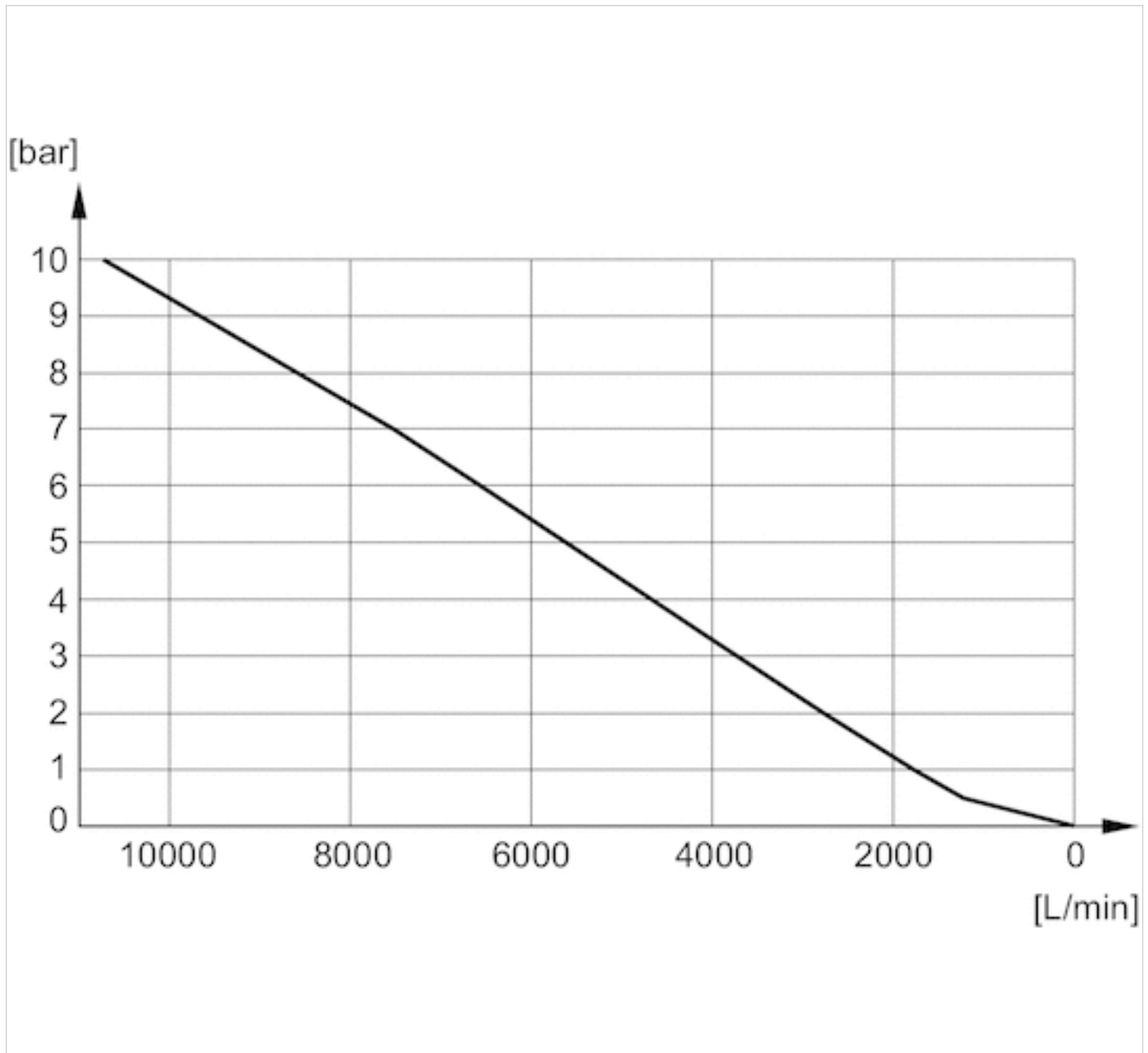
Dimensions

Dimensions in mm



Diagrams

Flow diagram, 1827000002



Silencers, series SI1

- G 1/8 G 1/4 G 3/8

- Sintered bronze



Working pressure min./max.

0 ... 10 bar

Ambient temperature min./max.

-25 ... 80 °C

Medium

Compressed air

Sound pressure level

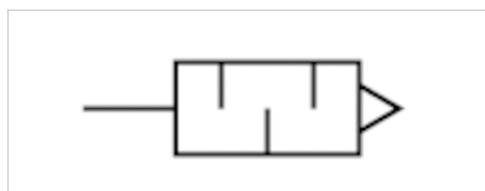
See table below

Weight

See table below

Comment

Flow characteristic curves can be found under "Diagrams".



Technical data

Part No.	Compressed air connection	Sound pressure level	Flow	Delivery unit	Weight
			Qn		
1827000031	G 1/8	85 dB	700 l/min	10 piece	0,001 kg
1827000033	G 1/4	88 dB	1116 l/min	10 piece	0,01 kg
1827000034	G 3/8	90 dB	1706 l/min	5 piece	0,016 kg

Weight per piece

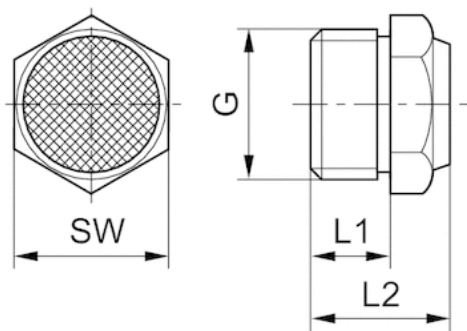
Nominal flow Qn at p1 = 6 bar (absolute) freely discharged. Sound pressure level measured at 6 bar against atmosphere at 1 m distance.

Technical information

Material	
Silencer	Sintered bronze
Thread	Brass

Dimensions

Dimensions



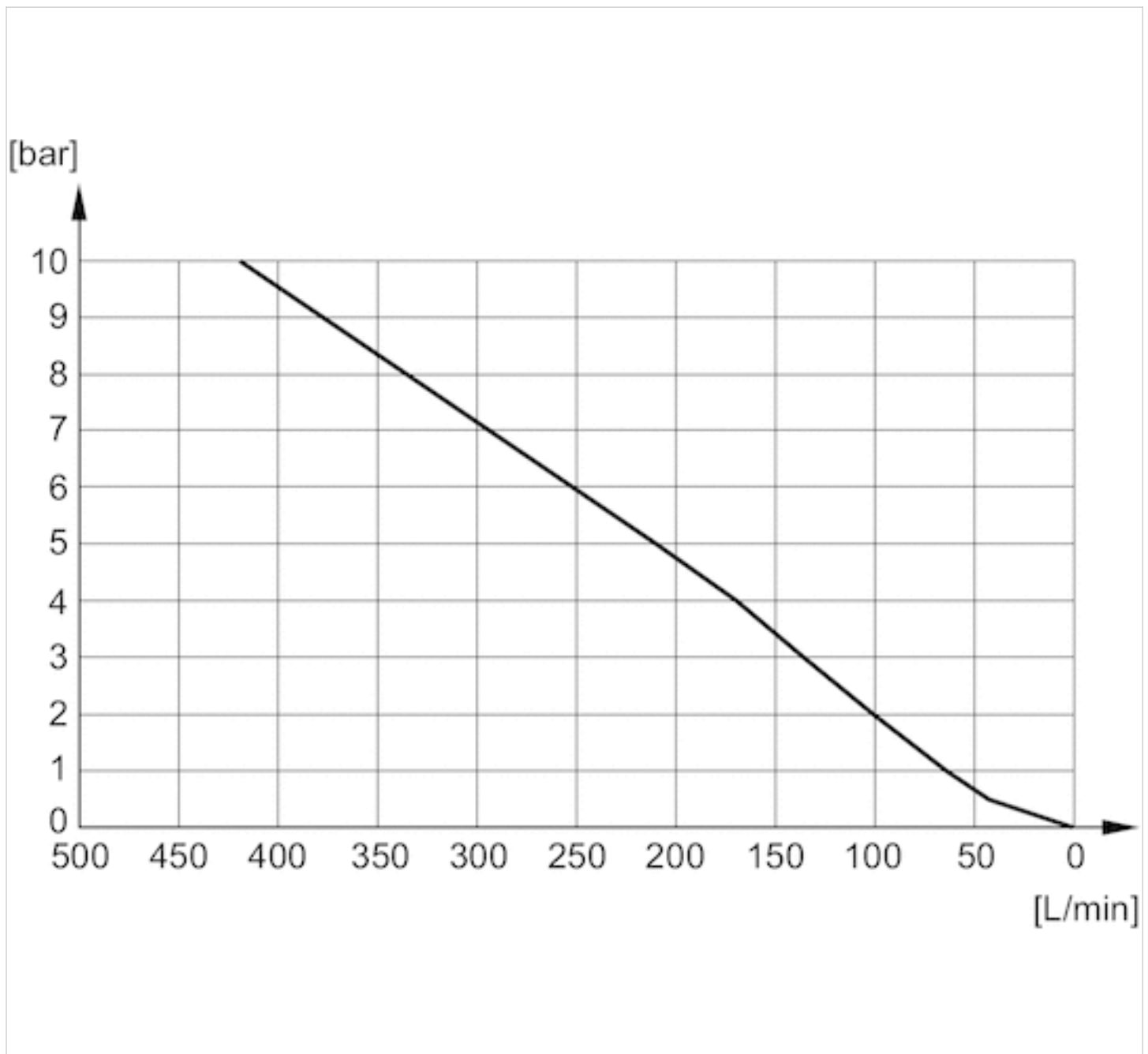
Dimensions

Part No.	Port G	L1	L2	SW
1827000031	G 1/8	6	11.5	13
1827000033	G 1/4	8	13.5	17
1827000034	G 3/8	10	17.5	22

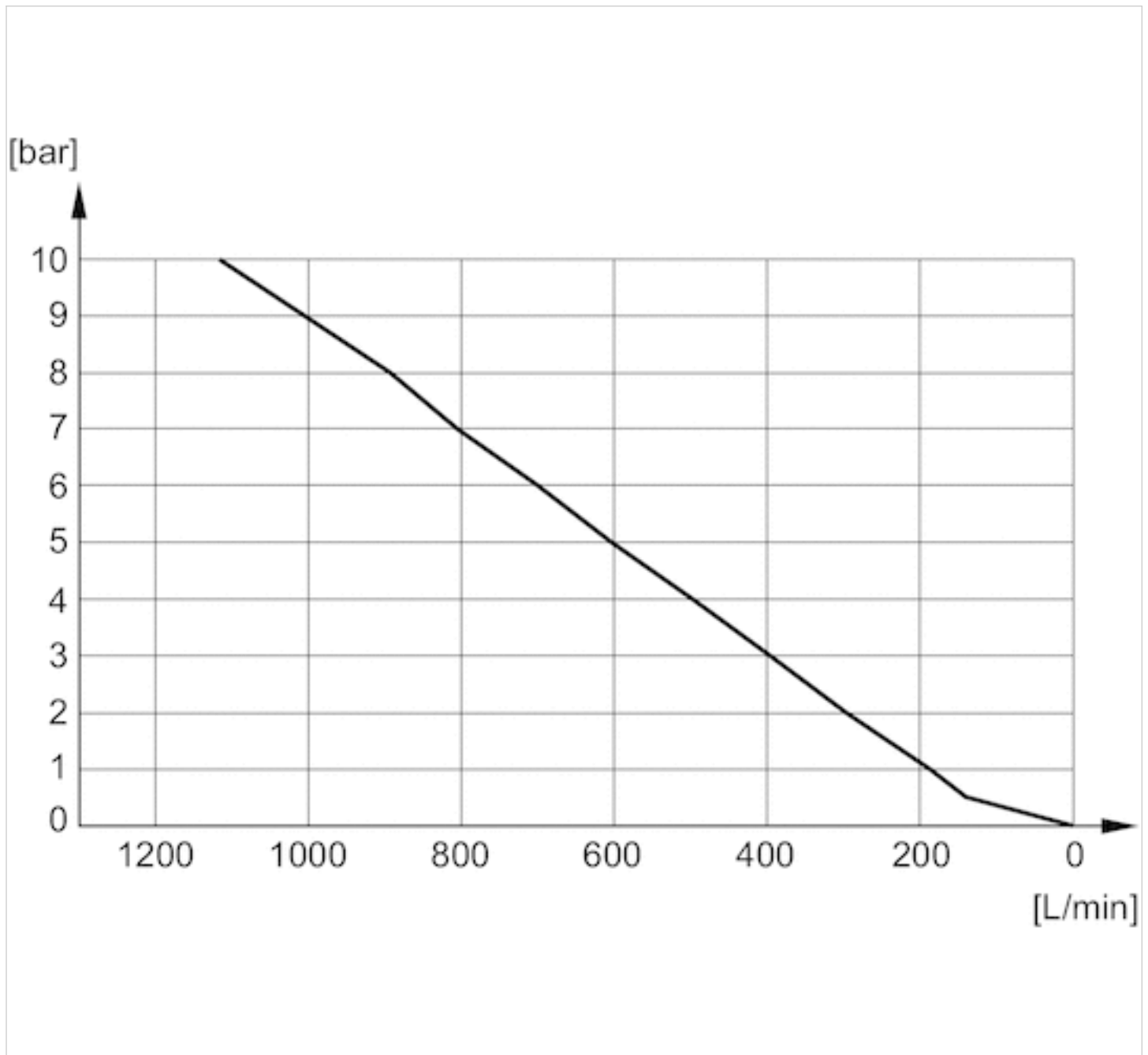
Sound pressure level measured at 6 bar at 1 m distance

Diagrams

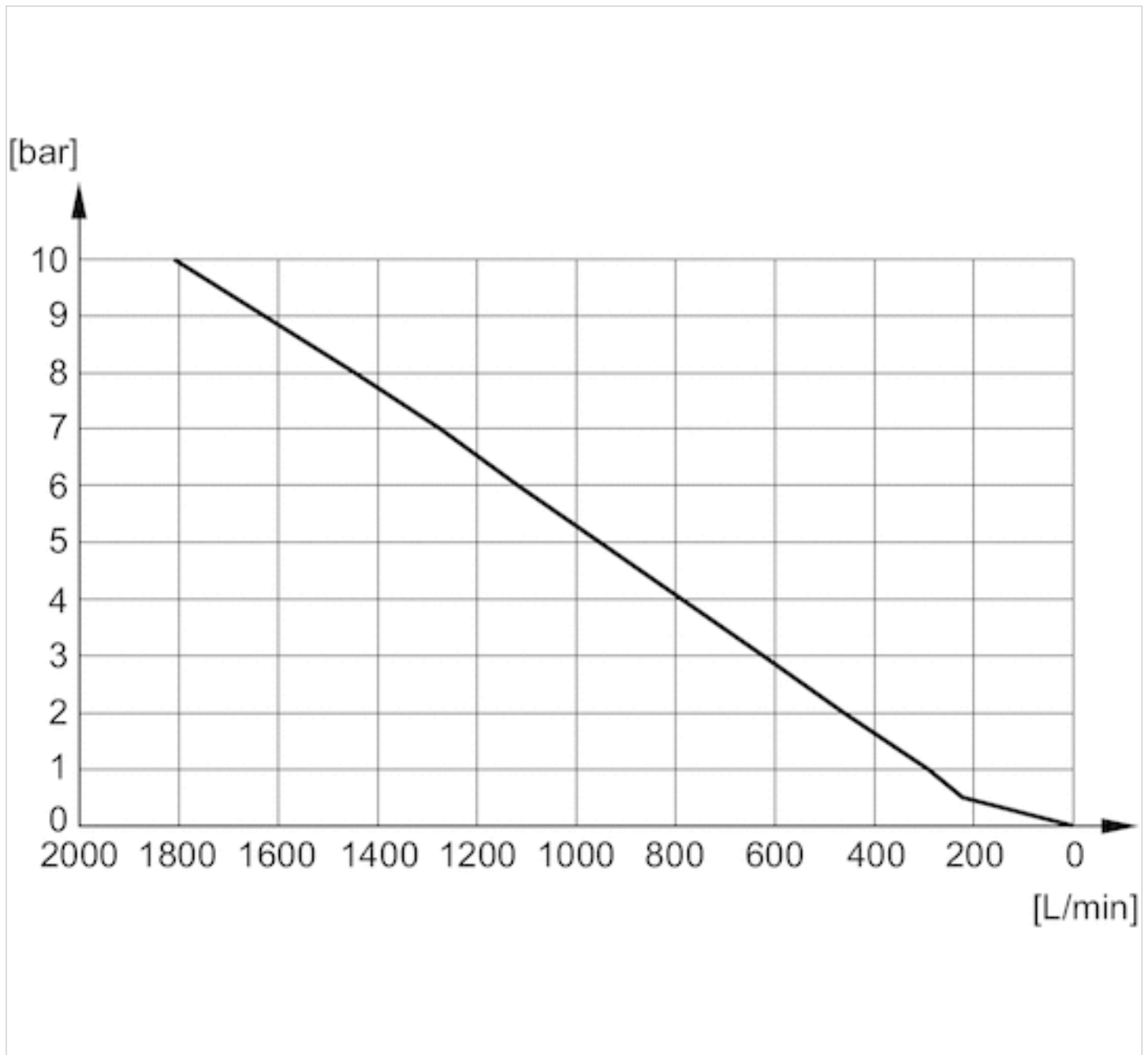
Flow diagram, 1827000032



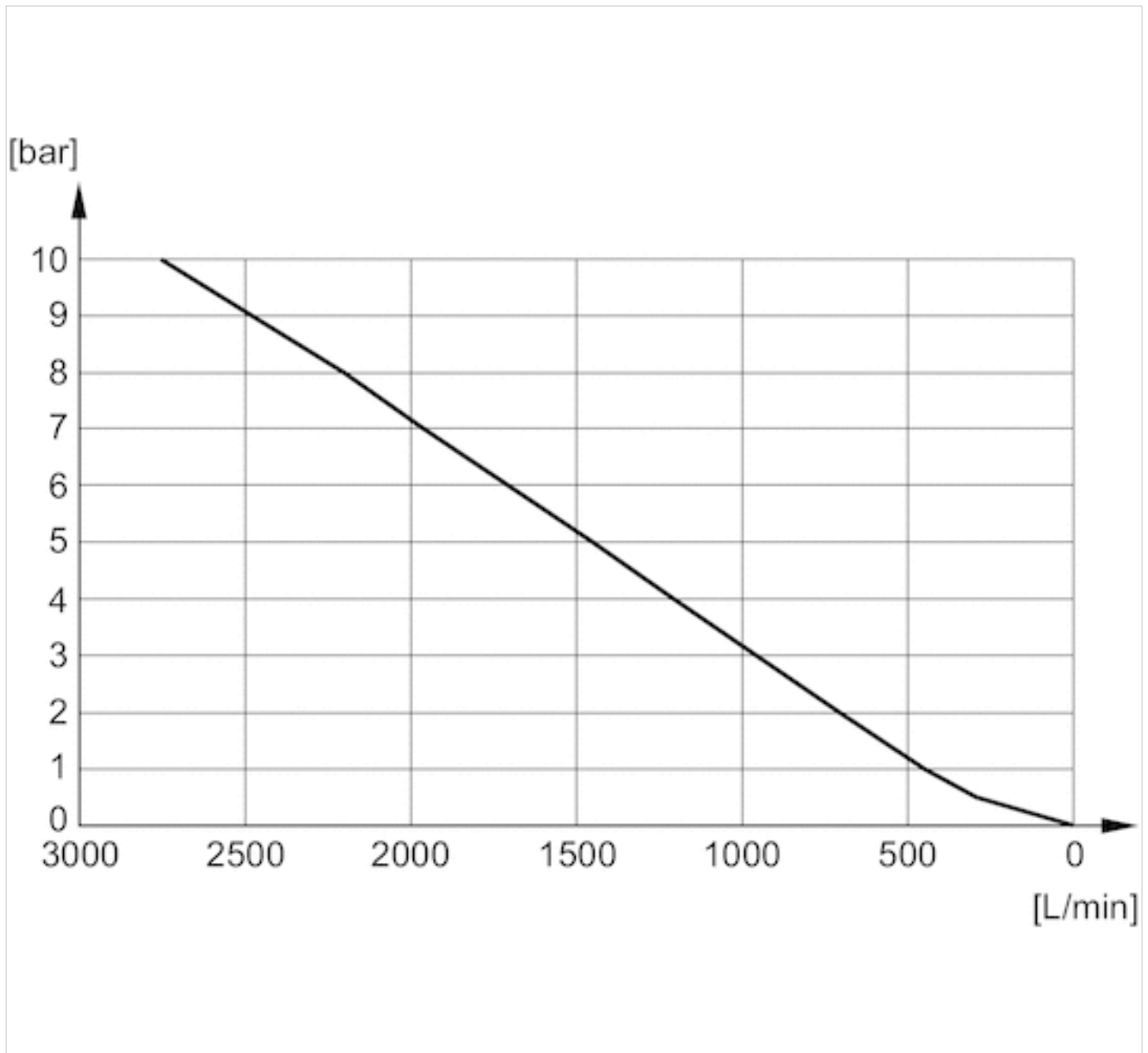
Flow diagram, 1827000031



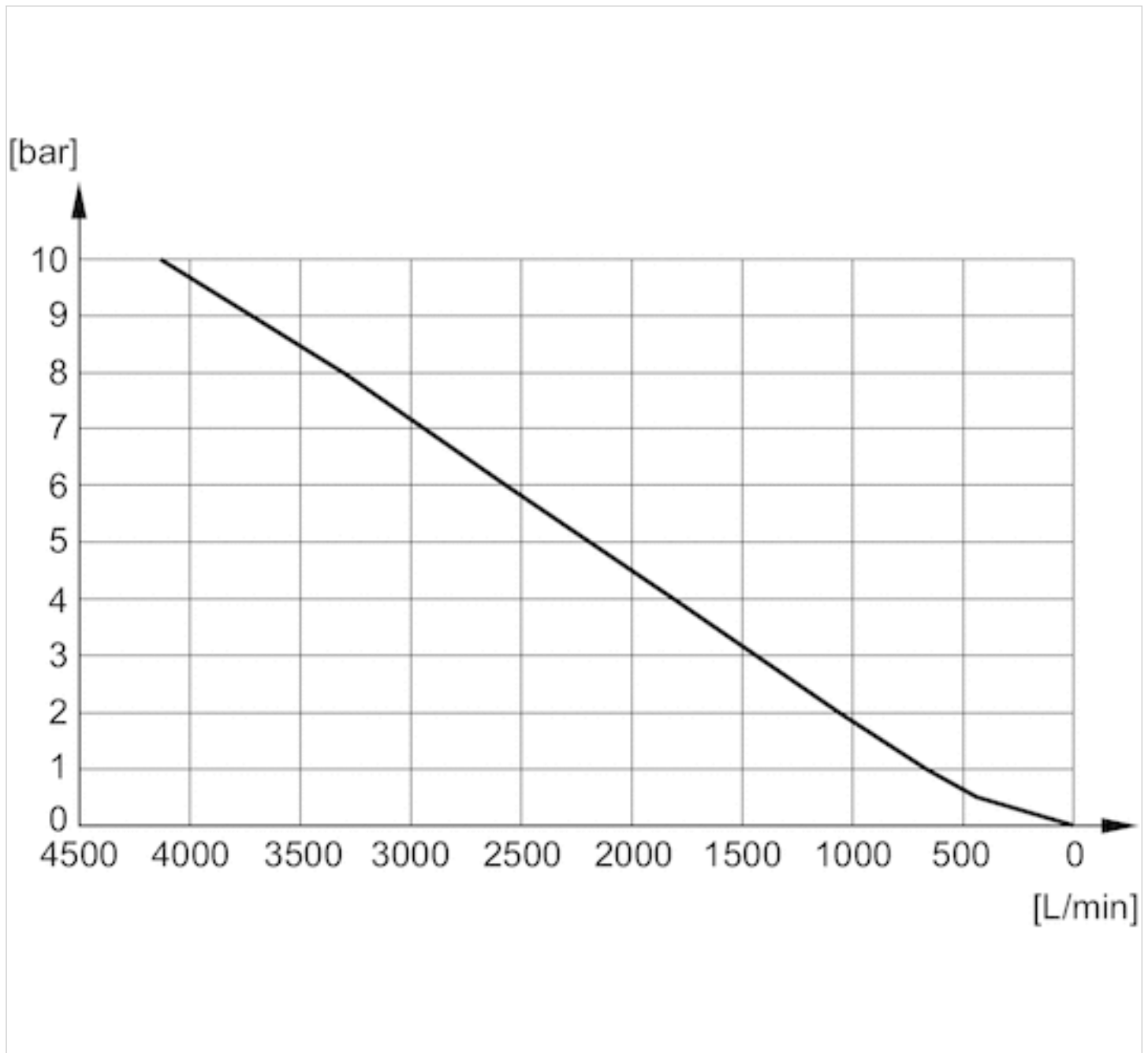
Flow diagram, 1827000033



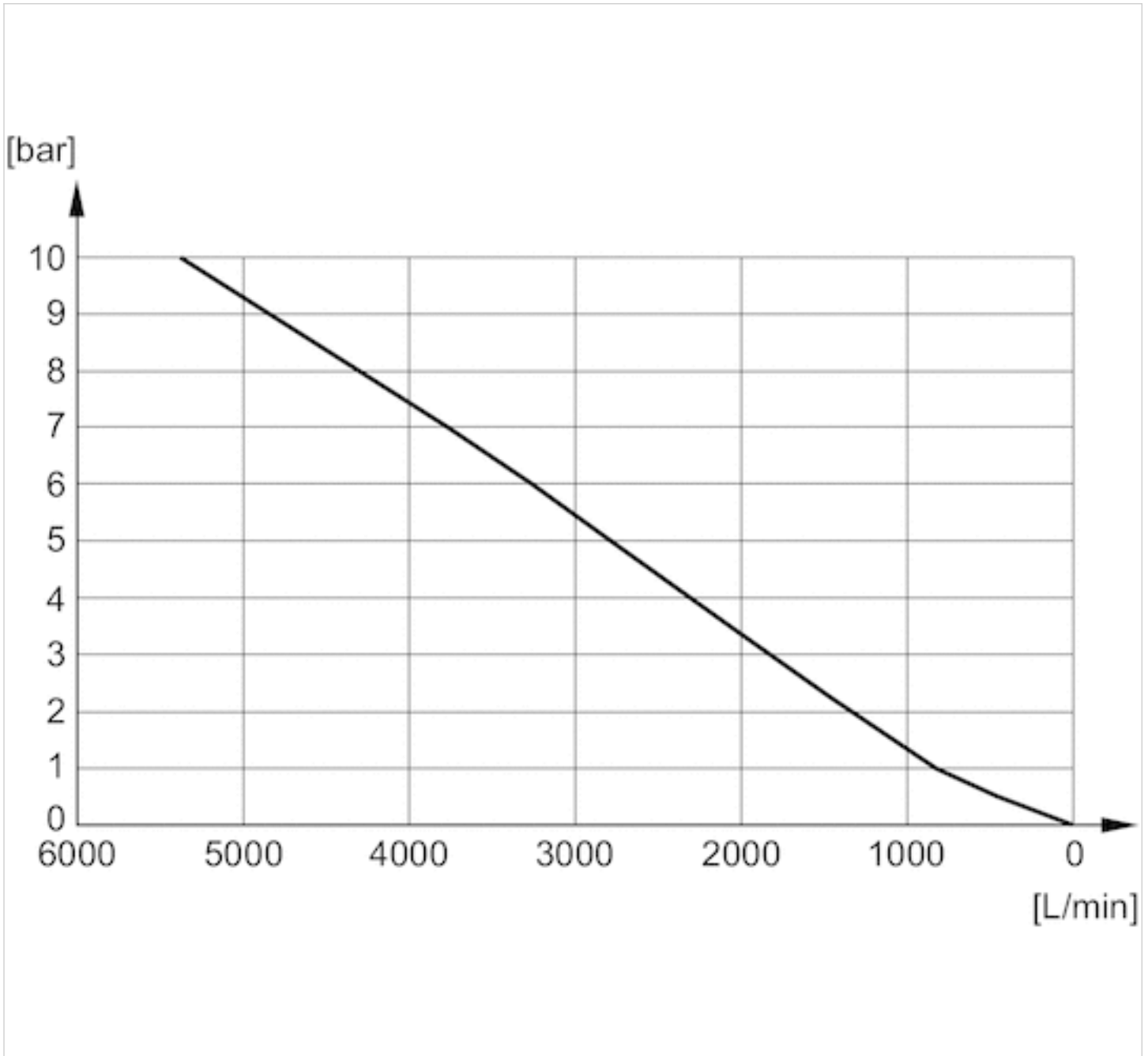
Flow diagram, 1827000034



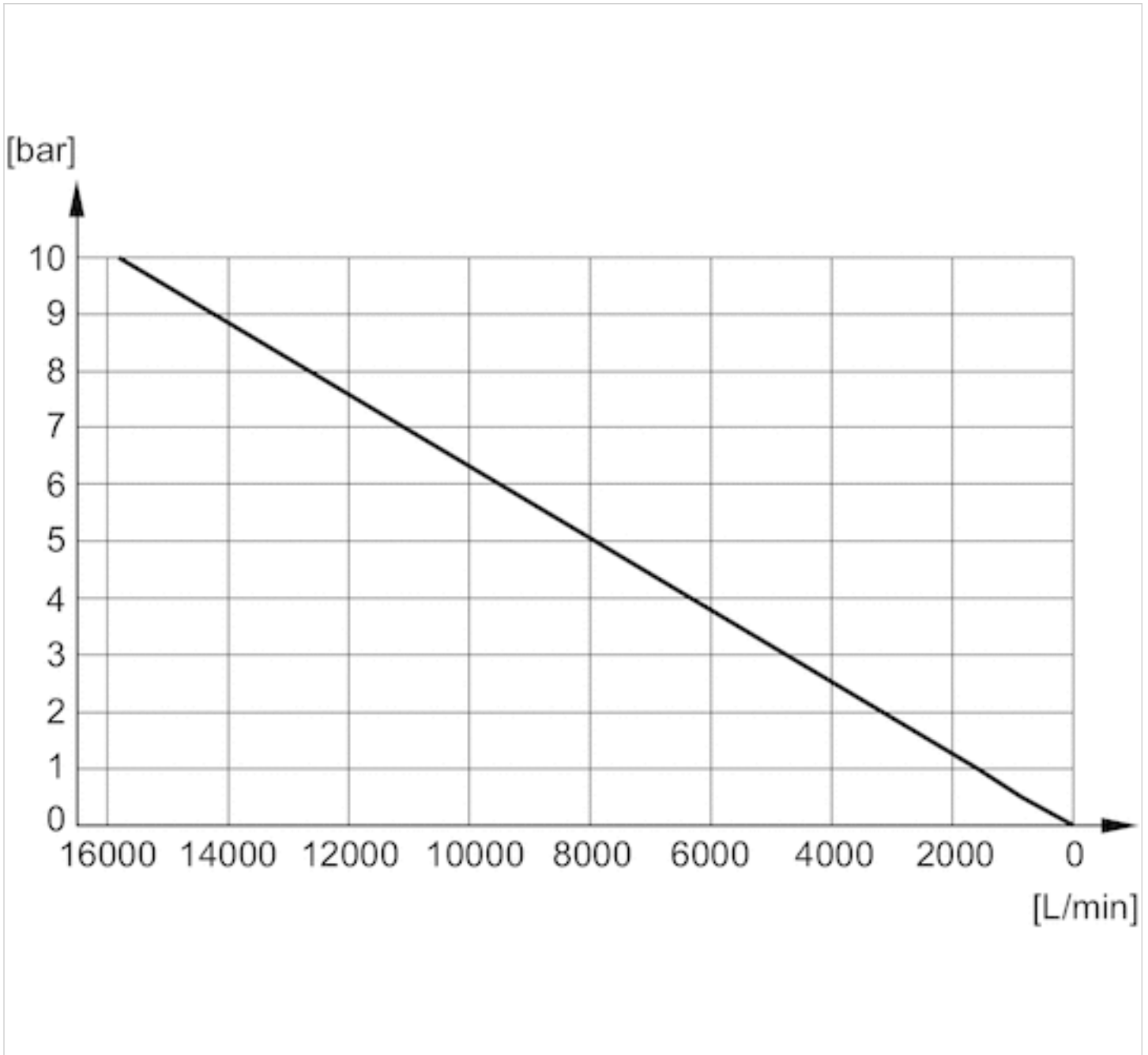
Flow diagram, 1827000035



Flow diagram, 8145003400



Flow diagram, 8145001000



Efficient pneumatic solutions, our program:
cylinders and drives, valves and valve systems,
air supply management



A.P.O. - ELMOS v.o.s., Pražská 90, 509 01 Nová Paka, Tel.: +420 493 504 261, E-mail: apo@apoelmos.cz, Internet: www.apoelmos.cz

CONSIDER IT SOLVED™